

# Process Gauges and Specialty Gas Gauges

## Model P1521 1-1/2" All Stainless Steel Gauge

### DESCRIPTION

The Model 1521 is a compact 1-1/2" in size, all stainless steel pressure gauge designed to withstand corrosive media and atmospheres. All wetted parts are 316 Stainless Steel and the case material is 304 Stainless Steel. The window is a snap-in style to minimize the gauge size.

### FEATURES

- Low cost
- Inventory at our Bartow, Florida plant for catalog part numbers
- All wetted parts are 316 stainless steel
- Low mount and center back connections
- Pressure ranges up to 6,000 psi
- Case material 304 stainless steel
- Standard units will have large, easy to read psi scale
- Other scales available as well as customer logos for OEM quantities

### APPLICATIONS

- Any application where the pressure media requires SST wetted parts and has space limitations
- Valve positioners
- Controllers
- Specialty gas regulators
- Specialty gas manifolds
- And numerous other process industry applications

### SPECIFICATIONS

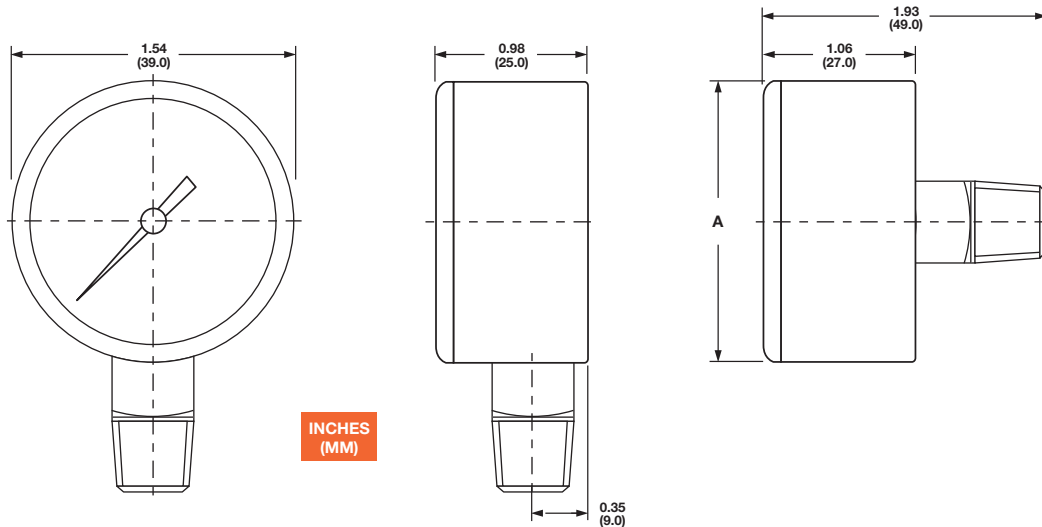
- SIZE: 1-1/2 inches
- CASE: 304 stainless steel
- WINDOW: Snap-in style, polycarbonate
- POINTER: Aluminum, painted black
- DIAL: White ABS with black printing
- BOURDON TUBE: 316 stainless steel
- MOVEMENT: 304 Stainless steel
- CONNECTION: 1/8-27 NPT center back (CBM) or low mount (LM); other connections available in OEM quantities
- RANGES: 30" Hg to 0 through 0 to 6000 psi (please reference pressure ranges on next page, in SPEC NUMBER SELECTION CHART)
- ACCURACY:  $\pm 3-2-3\%$  of span (ASME B40 Grade B)
- SCALES: Single psi scale standard on catalog part numbers; dual scales and other single scales such as bar, kPa, Kg/cm<sup>2</sup>, etc. available upon request in OEM quantities. Please contact Customer Service for more information.
- OPERATING TEMPERATURE:  
Ambient: -4°F to 140°F (-20°C to 60°C)  
Media: Maximum 185°F (85°C)
- OTHER OPTIONS: O<sub>2</sub> cleaning, SST restrictor, special connections, etc. Please contact Customer Service with your specifications.





## Process Gauges and Specialty Gas Gauges

# Model P1521 1-1/2" All Stainless Steel Gauge



### SPEC NUMBER SELECTION CHART

	1-/8-27 NPT Low Mount	1-/8-27 NPT Center Back Mount
<b>Bourdon Tube</b>	316L Stainless Steel	316L Stainless Steel
<b>Connection</b>	316L Stainless Steel	316L Stainless Steel
<b>Size</b>	1-1/2"	1-1/2"
<b>Range</b>	<b>Spec No.</b>	<b>Spec No.</b>
30" Hg	266252A	266273A
30"-0-15 psi	266253A	266274A
30"-0-30 psi	266254A	266275A
30"-0- 60 psi	266255A	266276A
30"-0-100 psi	266256A	266277A
15 psi	266257A	266278A
30 psi	266258A	266279A
60 psi	266259A	266280A
100 psi	266260A	266281A
160 psi	266261A	266282A
200 psi	266262A	266283A
300 psi	266263A	266284A
400 psi	266264A	266285A
600 psi	266265A	266286A
800 psi	266266A	266287A
1000 psi	266267A	266288A
1500 psi	266268A	266289A
2000 psi	266269A	266290A
3000 psi	266270A	266291A
5000 psi	266271A	266292A
6000 psi	266272A	266293A



#### U.S. GAUGE

820 Pennsylvania Blvd., Feasterville, PA 19053 U.S.A.  
Tel: (215) 355-6900 • Fax: (215) 354-1802

[www.ametekusg.com](http://www.ametekusg.com)

Customer Service Tel: (863) 534-1504 • Customer Service Fax: (863) 533-7465

Specifications are subject to change without notice. Visit our Web sites for the most up-to-date information.  
© 2005, by AMETEK, Inc. All rights reserved. 405PDF (160147)

