

# Process Gauges and Specialty Gas Gauges

## Model P1522 2-inch All Stainless Steel Gauge

### DESCRIPTION

The Model 1522 is a 2 inch, all stainless steel internals pressure gauge, designed to withstand corrosive media and atmospheres. All wetted parts are 316 Stainless Steel. The window is a one-piece twist-on style.

### FEATURES

- Low cost
- Inventory at our Bartow, Florida plant for catalog part numbers
- All wetted parts are 316 stainless steel
- Low mount and center back connections
- Pressure ranges up to 6,000 psi
- Standard, stocked gauges, have large, easy to read single psi scale
- Other scales available as well as customer logos in OEM quantities

### PRODUCT APPLICATIONS

- Any application where the pressure media requires SST wetted parts
- Process industry applications
- Specialty gas regulators
- Specialty gas manifolds
- Spec gas control cabinets

### SPECIFICATIONS

- SIZE: 2 inches
- CASE: Steel, chrome plated; 304 polished stainless steel available as an option in OEM quantities
- WINDOW: Twist-on style, polycarbonate
- POINTER: Aluminum, painted black
- DIAL: Aluminum, white background with black printing
- BOURDON TUBE: 316 Stainless steel
- MOVEMENT: 304 Stainless steel
- CONNECTION: 1/4-18 NPT standard, center back (CBM) or low mount (LM); other connections available in OEM quantities
- RANGES: 30" Hg to 0 through 0 to 6000 psi (please reference pressure ranges on next page, in SPEC NUMBER SELECTION CHART)
- ACCURACY:  $\pm 3-2-3\%$  of span (ASME B40 Grade B)
- SCALES: single psi scale standard on catalog part numbers; dual scales and other single scales such as bar, kPa, Kg/cm<sup>2</sup>, etc. available upon request in OEM quantities. Please contact Customer Service for more information.
- OPERATING TEMPERATURE:  
Ambient: -4°F to 140°F (-20°C to 60°C)  
Media: Maximum 185°F (85°C)
- OTHER OPTIONS: O<sub>2</sub> cleaning, SST resistor, custom dials, special connections, etc. Please contact Customer Service with your specifications.



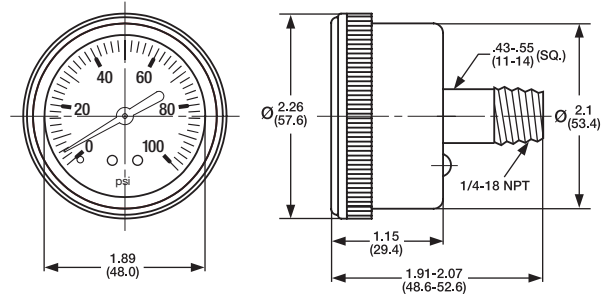


# Process Gauges and Specialty Gas Gauges

## Model P1522 2-inch All Stainless Steel Gauge

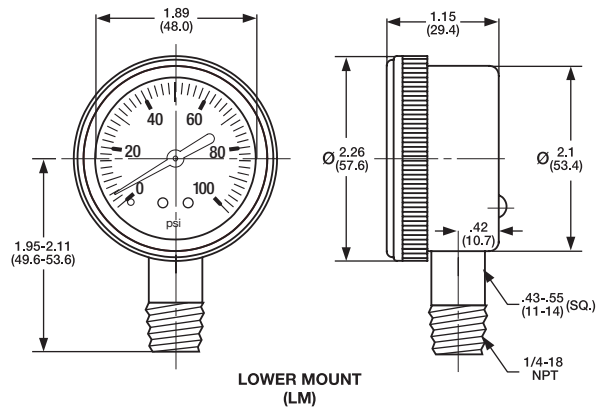
### SPEC NUMBER SELECTION CHART

	Model 1522 1/4-18 NPT Low Mount	Model 1522 1/4-18 NPT Center Back Mount
<b>Bourdon Tube</b>	316 Stainless Steel	316 Stainless Steel
<b>Connection</b>	316 Stainless Steel	316 Stainless Steel
<b>Size</b>	2 Inch	2 Inch
<b>Range</b>	<b>Spec Number</b>	<b>Spec Number</b>
30" Hg	172028A	172050A
30"-0-15 psi	172029A	172051A
30"-0-30 psi	172030A	172052A
30"-0-60 psi	172031A	172053A
30"-0-100 psi	172032A	172054A
15 psi	172033A	172055A
30 psi	172034A	172056A
60 psi	172035A	172057A
100 psi	172036A	172058A
160 psi	172037A	172059A
200 psi	172038A	172060A
300 psi	172039A	172061A
400 psi	172040A	172062A
600 psi	172041A	172063A
800 psi	172042A	172064A
1000 psi	172043A	172065A
1500 psi	172044A	172066A
2000 psi	172045A	172067A
3000 psi	172046A	172068A
4000 psi	172047A	172069A
5000 psi	172048A	172070A
6000 psi	172049A	---



CENTER BACK MOUNT  
(CBM)

INCHES  
(MM)



LOWER MOUNT  
(LM)

**AMETEK**<sup>®</sup>

**U.S. GAUGE**

820 Pennsylvania Blvd., Feasterville, PA 19053 U.S.A.  
Tel: (215) 355-6900 • Fax: (215) 354-1802

[www.ametekusg.com](http://www.ametekusg.com)

Customer Service Tel: (863) 534-1504 • Customer Service Fax: (863) 533-7465

Specifications are subject to change without notice. Visit our Web sites for the most up-to-date information.  
© 2005, by AMETEK, Inc. All rights reserved. 405PDF (160149)

**ISO 9001:2000**  
CERTIFIED