



Serving the market for more than 25 years,  
as EG&G Moisture and Humidity Systems.

## Model 200

# DewTrak™ Humidity Transmitter

the DewTrak™ series...

A Generation of Advanced Optical Chilled  
Mirror Dew Point Hygrometers

### Features

- **Primary** measurement technique.
  - **Highest** accuracy and reliability. Certificate of Traceability to NIST provided.
- **Patented** sensing scheme discriminates between dew and contamination, reducing maintenance requirements
  - **No drift**
  - **No hysteresis**
  - **Fast response**
- **Self-diagnostics** and continuous unattended operation. No balancing or other adjustments required.
  - **Low cost.**

### Applications

The DewTrak™ Humidity Transmitter, Model 200, is designed for continuous monitoring of air and other gases where a cost-effective, high reliability measurement of humidity will contribute to significant energy cost savings, or improve product or process quality. Applications include:

- HVAC/Energy Management
- Manufacturing and Process Areas
- Storage Areas
- Clean Rooms
- Process Control

WALL  
MOUNTING



PIPE  
MOUNTING



DUCT  
MOUNTING



ASPIRATOR

## Description

The Model 200 DewTrak™ Humidity Transmitter is a low-cost, low power, blind transmitter which consists of a sensor probe and an electronic control unit. The control unit is housed in a plastic or aluminum enclosure. This instrument combines the inherent accuracy, reliability, and long-term stability of optical chilled mirror technology with an advanced electro-optic sensing scheme. The Model 200 provides continuous and repeatable humidity measurements.

The DewTrak™ Humidity Transmitter features a unique sensing technology which discriminates between dew and contamination. The technology continuously compensates for any variations in humidity measurement due to mirror contamination or component variations. **THERE IS NO NEED TO HEAT THE MIRROR AND BALANCE THE INSTRUMENT TO COMPENSATE FOR CONTAMINANTS ON THE MIRROR!**

## Options

- Extended Range Dew Point Sensor
- Ambient Temperature Kit
- Humidity Computer, % RH or other Psychrometric Variables
- Aspirator (for no flow conditions, Self-Powered, Slide-On Unit). Not available with AT Sensor.
- Mounting Configurations
  - Flange Mount (for duct mounting)
  - Pipe Mount (1 1/4-inch NPT)
  - Remote Mounting Kit, 6 feet and greater
- Sample Chamber with 1/4 in. Compression In/Outlet Fittings
- Sampling Module, used with Sample Chamber
- Supply Voltage, 115/230 VAC, 50/60 Hz, 30 Watts

## Specifications

### Range:

Dew Point: -40°F to 140°F (-40°C to 60°C)  
 Ambient Temp: -40°F to 140°F (-40°C to 60°C)  
 Equivalent RH: 5% to 95%, D1 Sensor  
 ~ 1% to 95%, D2 Sensor

### Depression Range:

Dew Point: 81°F (45°C), D1 Sensor  
 108°F (60°C) D2 Sensor \*  
 ±1°F (±0.56°C)

### Accuracy:

### Operating Temp:

Sensor: -40°F to 162°F (-40°C to +72°C)  
 Aspirator: 32°F to 122°F (0°C to 50°C)  
 Control Unit: 32°F to 122°F (0°C to 50°C)

### Pressure:

1000 psig, Max.

### Flow:

Static to 3,000 Linear Ft/Min

### Temp. Sensor(s):

PRT, 100Ω Nominal at 0°C

### Output(s), Nonisolated:

Dew Point: 4 to 20 mA over span of -40°F to 140°F (-40°C to 60°C)  
 Ambient Temp: 4 to 20 mA over span of -40°F to 140°F (-40°C to 60°C)  
 % RH: 4 to 20 mA over span of 0% to 100% RH  
 Clean Mirror: TTL Compatible

### Supply Voltages:

Std, Selectable: 12 to 30 VDC, 850 mA or 24 VAC, ±10%, 50/60 Hz  
 Optional: 115/230 VAC, ±10%, 50/60 Hz

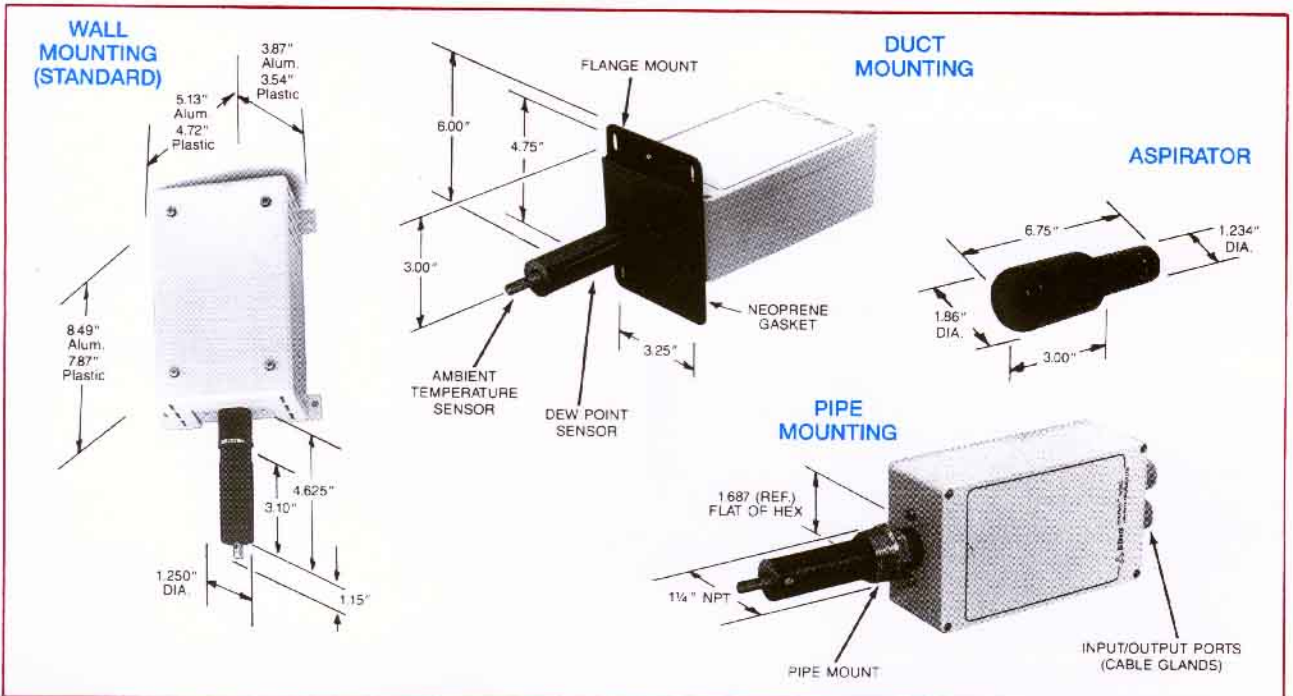
### Weight:

3.5 lbs, plastic; 4.8 lbs, aluminum

### Enclosures:

ABS Plastic (Dust/Water Tight), or Aluminum (ventilated)\*  
 Input/Output Ports: Strain Relief Watertight Plastic Cable Glands

\* Aluminum Enclosure Required for D2 Sensor and/or RH Options.



Specifications subject to change without notice.



455 FORTUNE BOULEVARD • MILFORD, MA 01757 USA  
 TEL: (508) 478-9500 • TOLL FREE (USA): (800) 276-3729 • FAX: (508) 634-3010  
 E-MAIL: H20@EDGETECH.COM • WWW.EDGETECH.COM

The Model 200 DewTrak™ is proudly produced by our quality team in the USA.

Copyright ©  
 EdgeTech ©  
 All Rights Reserved  
 Printed in U.S.A. 7/97