

# P1X Pressure Switch

**Explosion Proof**  
**P1X Series**

- ❖ Explosion Proof Housing
- ❖ High Reliability
- ❖ Extremely Long Life
- ❖ UL & CSA Listed
- ❖ Oil & Dust Tight



**B**arksdale's P1X Series Explosion Proof Pressure Switches offer extremely long life and the accuracy you need for your pressure control applications in hazardous locations. Designed with Dia-Seal piston technology, the **P1X** assures millions of maintenance free, leakage free cycles. A rugged NEMA 7, & 9 enclosure makes this switch an ideal choice for indoor installations. Setpoints are easily adjusted via a tamper-proof external adjustment screw, and the switch can be safely adjusted within the hazardous location. Designed to control pressures up to 1,600 psi, the **P1X Series Pressure Switches** are an outstanding choice for your demanding hazardous area applications.

# P1X Pressure Switch

## With Barksdale - Pressure's No Problem

**A**s a recognized leader in the manufacture of pressure product solutions, we meet the demanding requirements of our customers. From 29" Hg to 18,000 psi, Barksdale has pressure switches for a variety of applications – from transformers to natural gas compressors to beverage dispensers – and more!

**Barksdale's P1X Series Pressure Switch** provides an ideal solution for your hazardous location switching needs. Housed in a compact, die-cast aluminum enclosure, the **P1X Series** can monitor, control, and switch pressures to 1,600 psi. Setpoint adjustment is easily accomplished via an integrated external adjustment screw – no special tools are required. The **P1X Series** is economically priced, and offers proven Dia-Seal piston switch technology for extremely long life.

### P1X Series Applications

With its economical design and repeatability of 2% of full scale, the **P1X Series Pressure Switches** provide an accurate and reliable solution for pressures up to 1,600 psi, making them ideal for use in:

- Power Plants
- Water Pumps
- Hydraulic Power Units
- Pneumatic Devices
- General Industrial Applications



### Need Something Special?

If you have special product requirements, we can help. Barksdale specializes in custom design solutions to meet your needs. Our reputation is built on creating custom products for customers committed to getting exactly what they need. We have design engineers and technical specialists who are experts in solving your unique pressure problems. Our technology and resources are at your disposal.

### Need More Information?

Call us. We are only a phone call away.  
Toll-Free: 1-800-835-1060.

# P1X Pressure Switch

**Electrical Characteristics** All models incorporate Underwriters Laboratories, Inc. and CSA Listed single pole double throw snap-action switching elements.

**Performance Characteristics**

**Accuracy Switch** ± 2% of the adjustable range

**Type** SPDT Snap Action; single circuit

**Rating**

**Class M Switch** 10 Amps @ 125/250/480 VAC  
2 Amps @ 600 VAC  
0.03 Amps @ 250 VDC

**Class H & J Switches** 10 Amps @ 125/250 VAC  
3 Amps @ 480 VAC

**Physical**

**Shipping Weight** 3.75 lbs. approximate

**Wetted Parts**

**Process Fitting** Anodized Aluminum (Standard)

**Diaphragm** Buna-N

**Enclosure** Anodized Aluminum

**Ratings** NEMA 7, 9

**Pressure Connection** 1/4" -18 NPT Female (standard)

**Electrical Connection** Internal screw terminals via 1/2" NPT conduit connector

**Approvals**

**UL** File No. E37043; Approved for Hazardous Locations, Class I Groups C&D, Class II Groups E, F, & G; not available on 1600 range

**CSA** Class 3238-01, File No. 022354-0-000 (Not approved with Hermetically Sealed Limit Switch)

**PED (European)** Compliant to PED 97/23/EC

**Environmental**

**Temperature Range**

**Operating** -20° to +165 °F (-29° to +74°C)

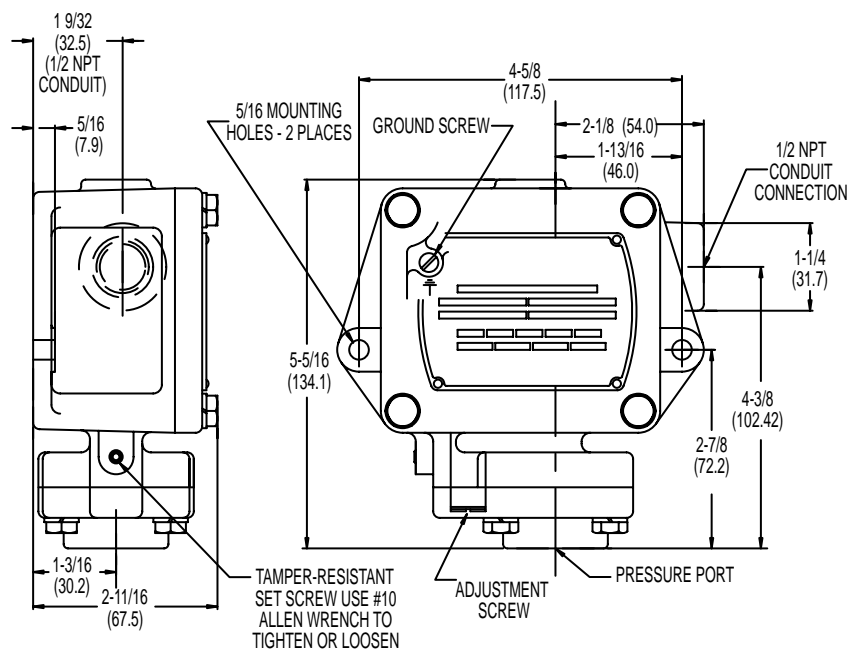
**Storage** -40° to +200 °F (-40° to +93°C)

**Adjustment Instructions** Loosen tamper-resistant setscrew with #10 allen wrench. With screwdriver, turn adjustment screw clockwise to raise setpoint and counterclockwise to lower the setpoint. Tighten setscrew after desired setting is reached.

**Wiring Code** Screw terminals on limit switch are labeled as NO (Normally Open), NC (Normally Closed), and C (Common)

**Consult Factory for These Options**

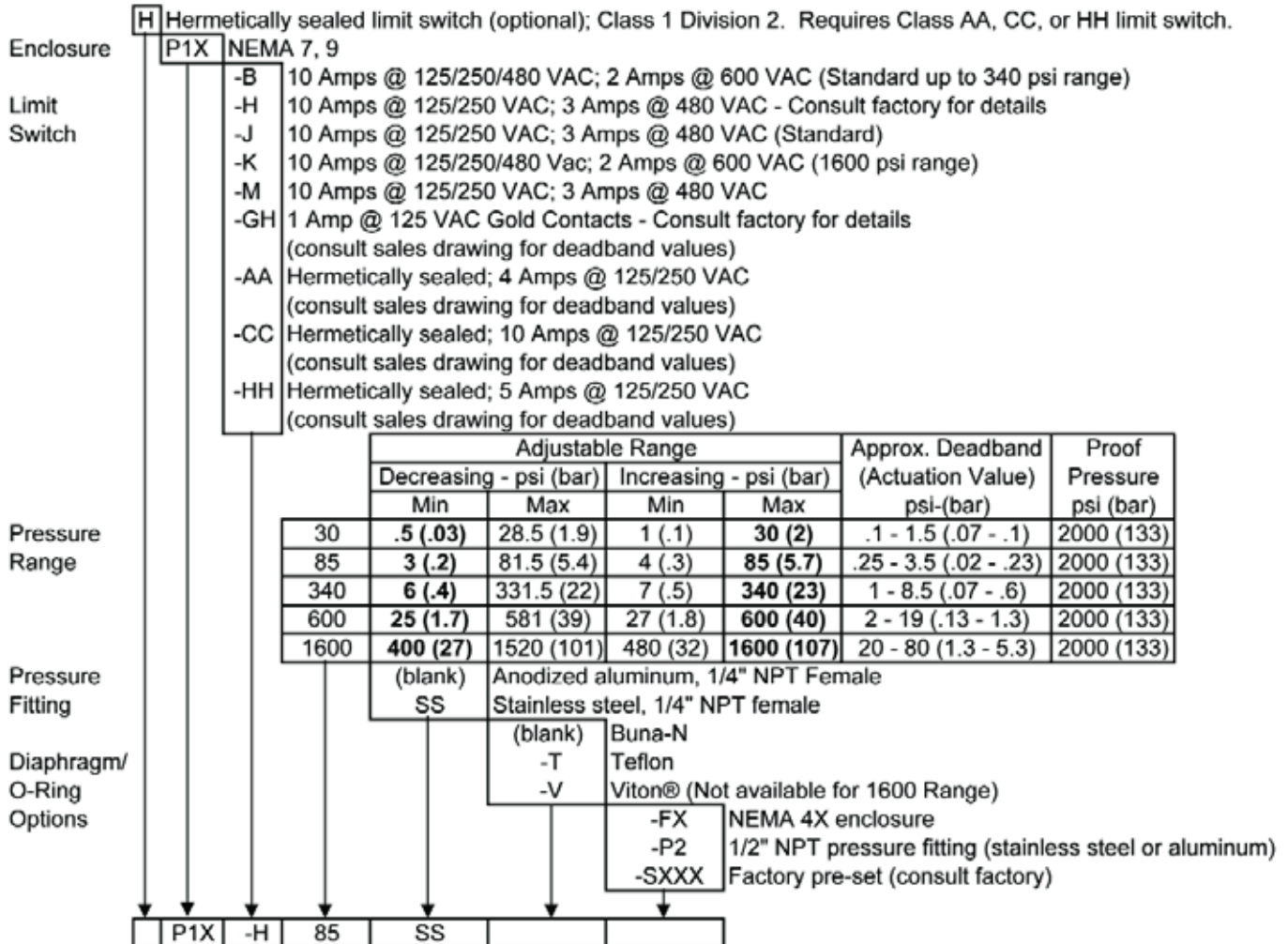
Viton® Diaphragm  
Teflon Diaphragm  
NEMA 4X Enclosure  
Hermetically Sealed Limit Switch



# P1X Pressure Switch

**Explosion Proof**

## P1X Series



<b>Miscellaneous:</b>	
Paper Tag	\$5.00
Metal Tag	\$10.00

**Barksdale**  
 CONTROL PRODUCTS

3211 Fruitland Avenue • Los Angeles, CA 90058 • ☎ 800-835-1060 • Fax: 323-589-3463 • [www.barksdale.com](http://www.barksdale.com)