

# TS2000

## Solid State Temperature Switch TS2000



- ✧ **High Accuracy with Fully Adjustable Deadband**
- ✧ **Optional 4-20 mA analog output**
- ✧ **Built-In Digital Temperature Readout**
- ✧ **Fully Configurable via Keypad**



**B**arksdale's TS2000 offers the accuracy of a solid state temperature switch combined with a temperature transducer in a single, economical package. Our TS2000 is available in two different configurations: as a dual temperature switch or as a single switch with integrated 4-20 mA analog output. Setpoints and deadband are easily adjusted by using the keypad and the user-friendly menu. Analog transducer outputs are scalable from 25% to 100% of the full adjustable range. A 10-bit micro-processor provides built-in self-diagnostics and allows for switch time delays and cycling up to 100 times per second. For applications requiring precise temperature monitoring and control at an affordable price, the TS2000 is the ideal solution.

**Barksdale** Exceeding Your Expectations Through Our People, Products and Performance  
CONTROL PRODUCTS

# TS2000

Temperature control digital display, 2 solid state contacts or 1 solid state contact plus 1 analog output 4 - 20 mA, accuracy class 0.5% f. s.

## Features

7-segment LED display, microprocessor controlled, self monitoring with error display, display rotateable around 330°, all parameters are configured by keypad.

## Additional Features

Tamper proof, keypad lock, rugged construction, vibration- and shock-proof, long term stability, DESINA®-conformity (see also www.desina.de).

## Measuring Ranges

32° to +212°F (0° to +100°C); -22° to +302°F (-30° to +150°C)

## Applications

Hydraulics and pneumatics (e. g. presses), lubrication monitoring, machine industry, automobile industry, machine tools, injection molding machines

## Technical Data

|                       |  |
|-----------------------|--|
| Sensor Element        | : PT100-element (Class B)  |
| Materials :           |  |
| Wetted Parts          | : Stainless steel 1.4435 (ST 316L)   |
| Seals                 | : FKM (fluorelastomer)   |
| Proof Pressure        | : 600 bar (8,700 psi)  |
| Operating Elements    | : 3 easy response push buttons   |
| Protection Class      | : IP65   |
| Process Connection    | : G1/4 male, 1/4" NPT  |
| Dimensions (Housing)  | : 1-7/16 x 5-1/8 inch (36 X 130 mm)<br>(without electrical plug), housing rotates for switch adjustment after mounting |
| Weight                | : approx. 200 g with 17 mm sensor length<br>: approx. 0.44 lb. with 0.67 inch sensor length                            |
| Measuring Ranges      | : 32° to +212°F, -22° to +302°F  |
| Linearity Error       | : ±0.5% f. s. at 77°F (25°C)   |
| Time Constant         | : approx. 40s  |
| A/D-Converter         |  |
| Resolution            | : 10 bit (1024 steps per measure. span)  |
| Scanning Rate         | : 100/s (for peak value memory)  |
| Electrical Connection | : Plug M 12 x 1, 4-pin, DESINA®-conforming   |
| Sensor Length         | : 0.67, 1.97, 11.82 inch   |
| Sensor Diameter       | : 1/4 inch (6 mm)  |



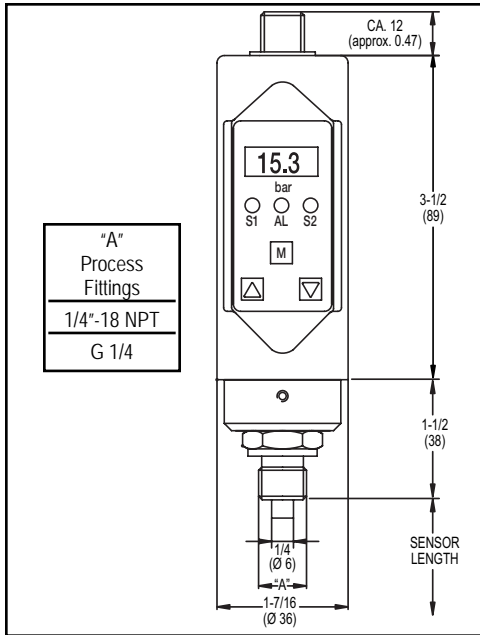
Electrical Connector  
Not Included.

Shown with G1/4 Connection

|                                 |   |
|---------------------------------|---|
| Repeatability                   | : ±0.1% f. s.   |
| Temperature Range:              |   |
| Media                           | : -22° to +302°F (-30° to +150°C)                                       |
| Electronics                     | : +14° to +158°F (-10° to +70°C)  |
| Storage                         | : -22° to +176°F (-30° to +80°C)  |
| Power Supply                    | : 15 to 28 V DC   |
| Digital Display                 | : 3-digit LED display, 7-segment, height 10 mm (0.39 inch), red         |
| Display Range                   | : -99 to 999  |
| Display Rate                    | : 20/s  |
| Display Unit                    | : °F (°C) - adjustable  |
| Error Display                   | : LED yellow and alphanumeric display (Diagnosis function acc. DESINA®) |
| Power Consumption               | : approx. 50 mA (without load)  |
| Analog Output                   |   |
| Current Output                  | : 4 - 20 mA   |
| Load                            | : max. $RI = (U_b - 12 V) / 20 mA$<br>$RI = 600 Ohm$ at $U_b = 24 V DC$ |
| Load Influence                  | : 0.3% / 100 Ohm  |
| Scanning Rate                   | : 5 ms  |
| Voltage Output                  | : 0 to 10 V DC (Optional)   |
| Rating                          | : max. 10 mA, short circuit-proof                                       |
| Adjustment Range                | : 25% to 100% f. s.   |
| Switching Output(s)             |   |
| Switching Function (adjustable) | : Normally open/ normally closed, standard-/windows-mode                |
| Adjustment Range                | : 0% to 125% f. s.  |
| Hysteresis                      | : 0% to 125% f. s.  |
| Diagnosis Function              | : SP2 (DESINA®-version)   |
| Switching Frequency             | : max. 100 Hz   |
| Contact Rating                  | : max. 400 mA, short circuit-proof                                      |
| Delay                           | : 0.0 to 9.9 s adjustable   |
| Status Display(s)               | : LED(s) red for activated switching point                              |

# TS2000

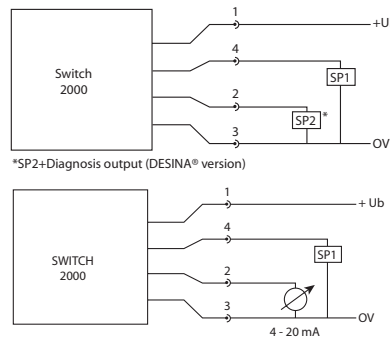
**Dimensions**



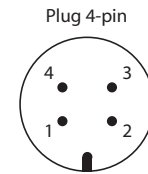
**Connection Chart**

| Plug            | Version with 2 switching output (Desina®- version) | Version with 1 switching output and 1 analog output |
|-----------------|--|---|
| M 12 X 1, 4-pin | (12 to 32 VDC)                                     | (12 to 32 VDC)                                      |
| Pin 1           | SP2 (0.4 A max.)                                   | analog (4-20 mA)                                    |
| Pin 2           | 0 V  | 0 V   |
| Pin 3           | SP1 (0.4 A max.)                                   | SP1 (0.4 A max.)                                    |
| Pin 4           |  |   |

**Connection Scheme**



**Plug**



**Temperature Ranges**

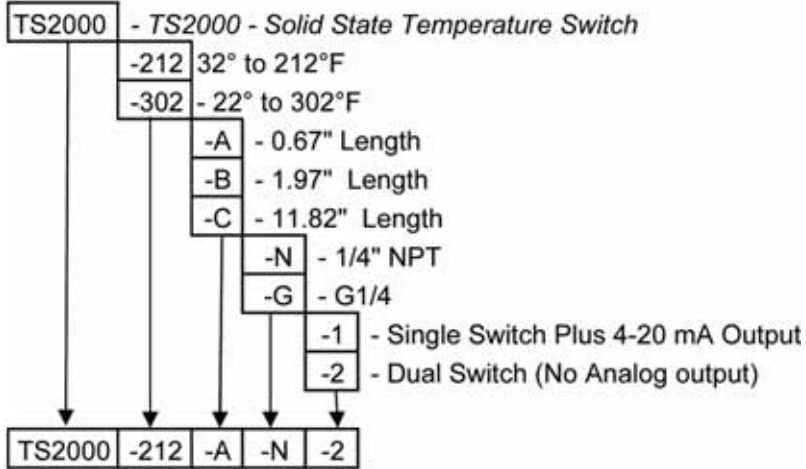
| TS2000                | Analog Output | Temperature Range | Sensor Length | Part Number (with G1/4 Thread) |
|-----------------------|---------------|-------------------|---------------|--------------------------------|
| Dual PNP Transistor   | None          | 32 to +212 °F     | 0.67 inch     | TS2000-212-A-G-2               |
| Dual PNP Transistor   | None          | 32 to +212 °F     | 1.97 inch     | TS2000-212-B-G-2               |
| Dual PNP Transistor   | None          | 32 to +212 °F     | 11.82 inch    | TS2000-212-C-G-2               |
| Dual PNP Transistor   | None          | -22 to +302 °F    | 0.67 inch     | TS2000-302-A-G-2               |
| Dual PNP Transistor   | None          | -22 to +302 °F    | 1.97 inch     | TS2000-302-B-G-2               |
| Dual PNP Transistor   | None          | -22 to +302 °F    | 11.82 inch    | TS2000-302-C-G-2               |
| Single PNP Transistor | 4-20 mA       | 32 to +212 °F     | 0.67 inch     | TS2000-212-A-G-1               |
| Single PNP Transistor | 4-20 mA       | 32 to +212 °F     | 1.97 inch     | TS2000-212-B-G-1               |
| Single PNP Transistor | 4-20 mA       | 32 to +212 °F     | 11.82 inch    | TS2000-212-C-G-1               |
| Single PNP Transistor | 4-20 mA       | -22 to +302 °F    | 0.67 inch     | TS2000-302-A-G-1               |
| Single PNP Transistor | 4-20 mA       | -22 to +302 °F    | 1.97 inch     | TS2000-302-B-G-1               |
| Single PNP Transistor | 4-20 mA       | -22 to +302 °F    | 11.82 inch    | TS2000-302-C-G-1               |

| TS2000                | Analog Output | Temperature Range | Sensor Length | Part Number (with 1/4-18 NPT Thread) |
|-----------------------|---------------|-------------------|---------------|--------------------------------------|
| Dual PNP Transistor   | None          | 32 to +212 °F     | 0.67 inch     | TS2000-212-A-N-2                     |
| Dual PNP Transistor   | None          | 32 to +212 °F     | 1.97 inch     | TS2000-212-B-N-2                     |
| Dual PNP Transistor   | None          | 32 to +212 °F     | 11.82 inch    | TS2000-212-C-N-2                     |
| Dual PNP Transistor   | None          | -22 to +302 °F    | 0.67 inch     | TS2000-302-A-N-2                     |
| Dual PNP Transistor   | None          | -22 to +302 °F    | 1.97 inch     | TS2000-302-B-N-2                     |
| Dual PNP Transistor   | None          | -22 to +302 °F    | 11.82 inch    | TS2000-302-C-N-2                     |
| Single PNP Transistor | 4-20 mA       | 32 to +212 °F     | 0.67 inch     | TS2000-212-A-N-1                     |
| Single PNP Transistor | 4-20 mA       | 32 to +212 °F     | 1.97 inch     | TS2000-212-B-N-1                     |
| Single PNP Transistor | 4-20 mA       | 32 to +212 °F     | 11.82 inch    | TS2000-212-C-N-1                     |
| Single PNP Transistor | 4-20 mA       | -22 to +302 °F    | 0.67 inch     | TS2000-302-A-N-1                     |
| Single PNP Transistor | 4-20 mA       | -22 to +302 °F    | 1.97 inch     | TS2000-302-B-N-1                     |
| Single PNP Transistor | 4-20 mA       | -22 to +302 °F    | 11.82 inch    | TS2000-302-C-N-1                     |

# TS2000

## Solid State Temperature Switch

### TS2000



Example: TS2000-212-A-N-2

**Barksdale**  
CONTROL PRODUCTS

3211 Fruitland Avenue • Los Angeles, CA 90058 • ☎ 800-835-1060 • Fax: 323-589-3463 • [www.barksdale.com](http://www.barksdale.com)

See Barksdale's Standard Conditions of Sale • Specifications are subject to modification at any time • Bulletin #T0031-A • 01/06 • ©2006 • Printed in the U.S.A.