

# WEISS INSTRUMENTS



## Vari-angle® Digital Thermometers

*Featuring the Latest Technology for HVAC Applications*

- \* Environmentally Friendly - Mercury Free
- \* Direct Replacement for Industrial Glass and Bimetal Thermometers
- \* Stock One Item for Chilled, Condenser and Hot Water Applications
- \* Light Powered - No Batteries
- \* F/C Switchable
- \* Fast Response
- \* Economical

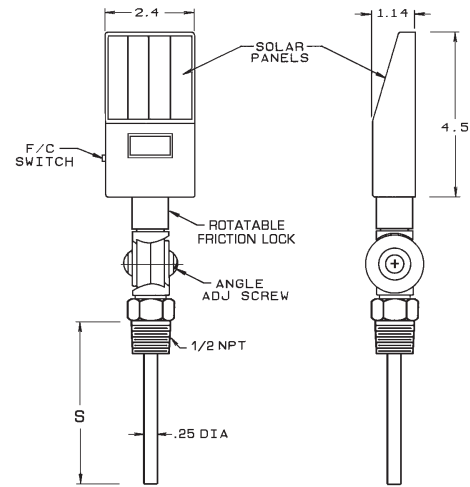
The Weiss patented,\* Digital Vari-angle® Thermometer maintains the strict requirements for thermometers in hydronic applications in that they're self-powered and within 1% accuracy. This reliable series of digital thermometers offers the added feature of stem assemblies for direct replacement of mercury-in-glass types where environmental concerns exist. Whether on new installations or replacements, our Vari-angle Digital Thermometers include the same level of quality that the industry associates with the Vari-angle trademark and all Weiss Products.

\*Patent No. 5,196,781      ©Vari-angle is a registered trademark of Weiss Instruments, Inc.

## SPECIFICATIONS

<b>CASE</b>	Hi-impact ABS
<b>RANGE</b> with F/C Switch	-50/300°F -45/150°C
<b>DISPLAY</b>	1/2" LCD digits, wide ambient formula
<b>ACCURACY</b>	1% of reading or 1° whichever is greater
<b>RESOLUTION</b>	1/10° between -19.9/199.9°F (-28/93°C)
<b>RECALIBRATION</b>	Through case potentiometer adjustment
<b>LUX RATING</b>	10 Lux (one foot-candle)
<b>UPDATE</b>	10 seconds
<b>AMBIENT OPERATING</b>	-30/140°F (-35/60°C)
<b>AMBIENT TEMP ERROR</b>	Zero
<b>HUMIDITY</b>	100%
<b>SENSOR</b>	Glass passivated thermistor - NTC

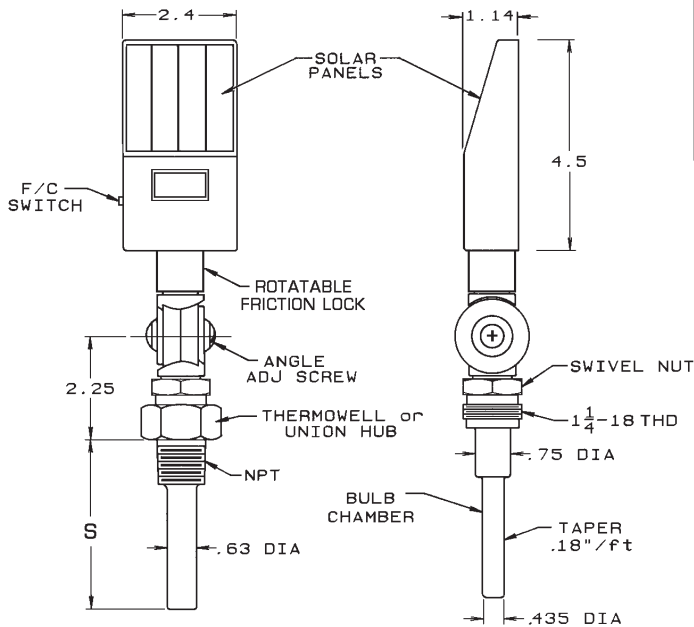
STEM ASSEMBLIES	INDUSTRIAL GLASS	BIMETALLIC
	Full conformance with Fed Spec GG-T-321D. Fully interchangeable with Industrial Glass Thermometers.	Full conformance with ASME B40.3 - 1990. Fully interchangeable with Bimetallic Dial Thermometers.



**BIMETAL DIAL THERMOMETER STEM ASSEMBLY**

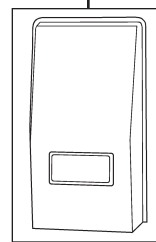
CATALOG NO.	S Dim.	IDN
DVBM25	2 1/2"	62120
DVBM4	4"	62130
DVBM6	6"	62140
DVBM9	9"	62150

Sockets available - see Catalog BM-4/04

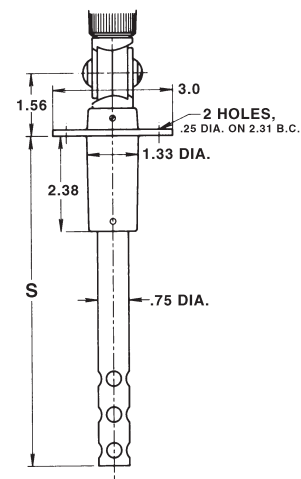


**INDUSTRIAL GLASS THERMOMETER STEM ASSEMBLY**

CATALOG NO. Without Socket	STEM	S Dim.	IDN
DVU35	3 1/2"	3 1/2"	62100
DVU6	6"	5"	62110



CATALOG NO.	DESCRIPTION	IDN
DVC-4	Outdoor Waterproof Cover (4 pcs per pack)	62410



**AIR DUCT STEM ASSEMBLY**

CATALOG NO.	S Dim.	IDN
DVD35	3 1/2"	62300
DVD6	6"	62310
DVD9	9"	62320
DVD12	12"	62330

DVU-3/04