



General Purpose Gauges

P-844UK and P-845FFK General Panel Mount Gauges

DESCRIPTION

Utilizing either front flanged or U-clamp cases, these attractive panel mount gauges can be flush mounted on instrument panels, pressure test stands, steam cleaners, sterilizers, and many other types of equipment. Where a minimum of space is available the 844 U-clamp series is more desirable. When it is desirable to mount the gauge from the front of panel, the 845 front flanged series may be specified. All models utilize a unique one piece plastic threaded ring and window which can be removed, permitting in-panel pointer adjustment. Optional stainless steel bourdon tube and socket for use where the pressure medium is corrosive to copper alloys.



SPECIFICATIONS

SIZE: 2", 2-1/2", 3-1/2"

CASE:

844: Drawn steel, with studs, U-clamp and nuts, black corrosion-resistant paint, furnished with two piece U-clamp and nuts, zinc plated

845: Drawn steel with three hole flange, black corrosion-resistant paint

RING AND WINDOW: Threaded, polycarbonate

POINTER: Aluminum, adjustable, black finish

DIAL: Steel, white background with black markings. Utilizes the "zero band" concept where the zero graduation and numeral are replaced with a band representing the total accuracy tolerance at zero

MOVEMENT: Brass

BOURDON TUBE: Pressure ranges above 15 psi up to and including 1000 psi are phosphor bronze, soft soldered

2000 and 3000 psi are phosphor bronze, silver soldered

Vacuum and 15 psi are beryllium copper, soft soldered

CONNECTION: CBM, brass

1/8-27 NPT: 2" and 2-1/2" up to 600 psi

1/4-18 NPT: 2-1/2" 1000 psi and above and all 3-1/2"

RANGE:

V-844UK, V-845FFK: 30" Hg VAC

P-844UK, P-845FFK: 15, 30, 60, 100, 160**, 200, 300, 400**, 600, 1000*, 2000*, 3000* psi

ACCURACY: $\pm 3-2-3\%$ of span (Grade B)

* 2-1/2" P-844UK only ** 2", 2-1/2" only

© 2002, by AMETEK, Inc. All rights reserved. 15M1102A (160126) Specifications are subject to change without notice. Visit our Web sites for the most up-to-date information.



For Gauges/Thermometers:

U.S. GAUGE
 820 Pennsylvania Blvd.
 Feasterville, PA 19053 U.S.A.
 Tel: (215) 355-6900
 Fax: (215) 354-1802
 www.ametekusg.com

Customer Service Tel: (863) 534-1504
 Customer Service Fax: (863) 533-7465

For Electronic Products:

PMT PRODUCTS
 820 Pennsylvania Blvd.
 Feasterville, PA 19053 U.S.A.
 Tel: (215) 355-6900
 Fax: (215) 354-1800
 www.ametekusg.com

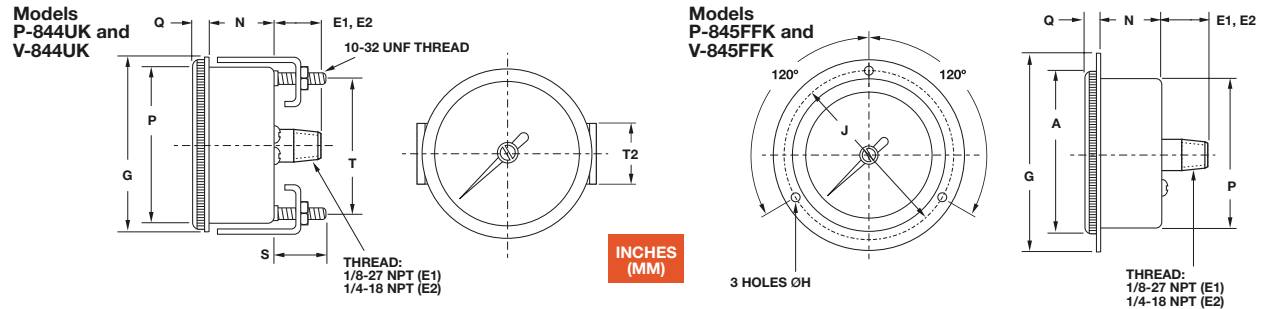
For Diaphragm Seals:

M&G PRODUCTS
 8600 Somerset Drive
 Largo, FL 33773 U.S.A.
 Tel: (727) 536-7831
 Fax: (727) 539-6882
 www.ametek.com/tci

ISO 9001 REGISTERED MANUFACTURER

General Purpose Gauges

P-844UK and P-845FFK General Panel Mount Gauges



MODELS P-844UK AND V-844UK

DIAL SIZE	UNIT	E1	E2	G	H	P	Q	S	T	T2
2"	inches	.71	-	2.28	1.12	2.11	.24	.79	1.62	.75
	mm	18.03	-	57.91	27.69	53.85	6.10	20.57	41.15	19.05
2-1/2"	inches	.71	.77	2.81	1.12	2.56	.28	.79	2.20	.75
	mm	18.03	19.56	71.37	27.69	65.79	7.62	20.57	55.88	19.05
3-1/2"	inches	-	.78	3.94	1.09	3.64	.28	.81	3.25	.75
	mm	-	19.05	100.08	27.69	93.73	8.13	20.57	82.55	19.05

MODELS P-845FFK, V-845FFK

DIAL SIZE	UNIT	A	E1	E2	G	H	J	N	P	Q
2"	inches	2.25	.72	-	2.82	.156	2.562	1.12	2.11	.24
	mm	57.15	18.03	-	71.37	3.96	65.08	27.69	53.85	6.10
2-1/2"	inches	2.80	.72	-	3.52	.156	3.125	1.12	2.56	.28
	mm	71.12	18.03	-	89.66	3.96	79.38	27.69	65.79	7.11
3-1/2"	inches	3.88	-	.78	4.84	.219	4.25	1.09	3.68	.29
	mm	98.55	-	19.05	122.94	5.56	107.95	27.69	93.73	7.37

PANEL CUTOUT DIMENSIONS

DIAL SIZE	UNIT	PANEL CUTOUT
2"	inches	2.17
	mm	55.1
2-1/2"	inches	2.64
	mm	67.1
3-1/2"	inches	3.73
	mm	94.7

© 2002, by AMETEK, Inc. All rights reserved. 15M1102A (160126) Specifications are subject to change without notice. Visit our Web sites for the most up-to-date information.



For Gauges/Thermometers:

U.S. GAUGE
820 Pennsylvania Blvd.
Feasterville, PA 19053 U.S.A.
Tel: (215) 355-6900
Fax: (215) 354-1802
www.ametekusg.com

Customer Service Tel: (863) 534-1504
Customer Service Fax: (863) 533-7465

For Electronic Products:

PMT PRODUCTS
820 Pennsylvania Blvd.
Feasterville, PA 19053 U.S.A.
Tel: (215) 355-6900
Fax: (215) 354-1800
www.ametekusg.com

For Diaphragm Seals:

M&G PRODUCTS
8600 Somerset Drive
Largo, FL 33773 U.S.A.
Tel: (727) 536-7831
Fax: (215) 354-1800
www.ametek.com/tci





General Purpose Gauges

P-844UK and P-845FFK General Panel Mount Gauges

SPEC NUMBER SELECTION CHART

Model P-844UK, V-844UK

Connection	Range*	2" Spec No.	2-1/2" Spec No.	3-1/2" Spec No.
1/8-27 CBM (3-1/2" 1/4-18 NPT)	30" VAC	164415	164425	138024
	15 psi	164416	164426	138025
	30 psi	164417	164427	138026
	60 psi	164418	164428	138027
	100 psi	164419	164429	138028
	160 psi	164420	164430	-
	200 psi	164421	164431	138029
	300 psi	164422	164432	138030
	400 psi	164423	164433	-
	600 psi	164424	164434	138031
1/4-18 CBM	1000psi	-	164435	-
	2000 psi	-	164436	-
	3000 psi	-	164437	-

Model P-845FFK, V-845FFK

Connection	Range*	2" Spec No.	2-1/2" Spec No.	3-1/2" Spec No.
1/8-27 CBM (3-1/2" 1/4-18 NPT)	30" VAC	164439	164449	138052
	15 psi	164440	164450	138053
	30 psi	164441	164451	138054
	60 psi	164442	164452	138055
	100 psi	164443	164453	138056
	160 psi	164444	164454	-
	200 psi	164445	164455	138057
	300 psi	164446	164456	138058
	400 psi	164447	164457	-
	600 psi	164448	164458	138059

* Dual scale dials are available, please contact Customer Service at (863) 534-1504

© 2002, by AMETEK, Inc. All rights reserved. 15M1102A (160126) Specifications are subject to change without notice. Visit our Web sites for the most up-to-date information.



For Gauges/Thermometers:
U.S. GAUGE
 820 Pennsylvania Blvd.
 Feasterville, PA 19053 U.S.A.
 Tel: (215) 355-6900
 Fax: (215) 354-1802
 www.ametekusg.com

Customer Service Tel: (863) 534-1504
 Customer Service Fax: (863) 533-7465

For Electronic Products:
PMT PRODUCTS
 820 Pennsylvania Blvd.
 Feasterville, PA 19053 U.S.A.
 Tel: (215) 355-6900
 Fax: (215) 354-1800
 www.ametekusg.com

For Diaphragm Seals:
M&G PRODUCTS
 8600 Somerset Drive
 Largo, FL 33773 U.S.A.
 Tel: (727) 536-7831
 Fax: (727) 539-6882
 www.ametek.com/tci

