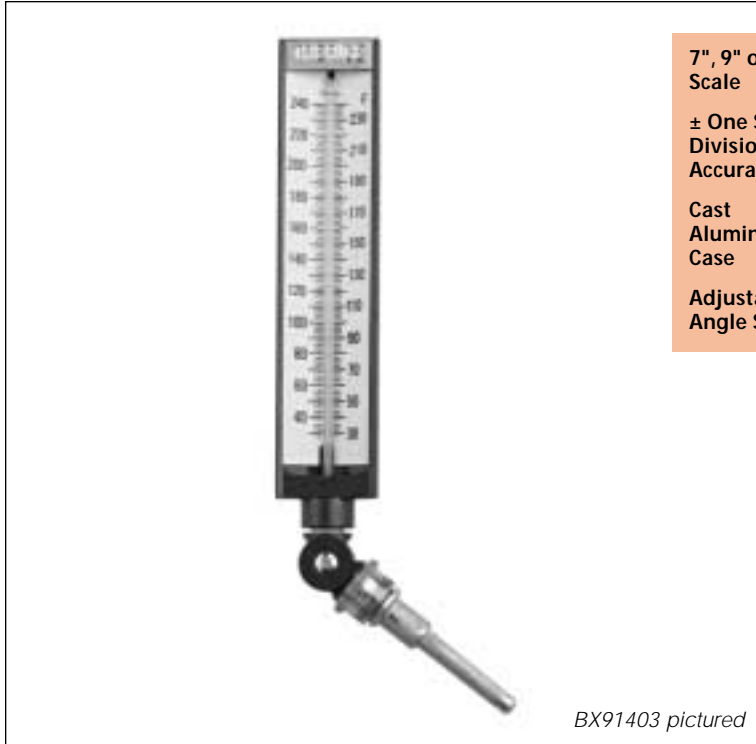


Adjustable Angle Industrial Thermometer



BX91403 pictured

7", 9" or 12"
Scale

± One Scale
Division
Accuracy

Cast
Aluminum
Case

Adjustable
Angle Stem

Recognized globally as the Trerice "BX" Industrial Thermometer, this is an instrument of extreme accuracy and rugged dependability. Available in scale lengths of 7"(AX), 9"(BX), & 12"(CX), with a durable cast aluminum case, this universally adjustable, mercury-in-glass thermometer is the most widely specified instrument of its kind.

Optional features are also available. Please consult the Options Section for details.

For applications where the process media may be corrosive or contained under pressure, the use of a thermowell is required to prevent damage to the thermometer and facilitate its removal from the process.

Specifications

Models

AX9, BX9, CX9 (adjustable angle)

Scale Size

AX9: 7"

BX9: 9"

CX9: 12"

Case

Cast aluminum, blue epoxy finished

Stem

Aluminum, brass, 304 stainless steel or air-duct style available

Connection

1 1/4"-18 UNEF-2A coupling nut

Air-duct stem has a reversible mounting flange with 3 bolt holes

Window

Acrylic on ranges to 300°F

Glass on ranges over 300°F

Tube

Lens front, red appearing mercury

Scale

Aluminum, white background with black graduations and markings

Top Plate

Stainless steel

Accuracy

±1 scale division

Approximate Shipping Weight

AX9: 1.5 lbs [0.68 kg]

BX9: 1.6 lbs [0.73 kg]

CX9: 2.0 lbs [0.91 kg]

How to Order

Sample Order Number BX9140307

BX9

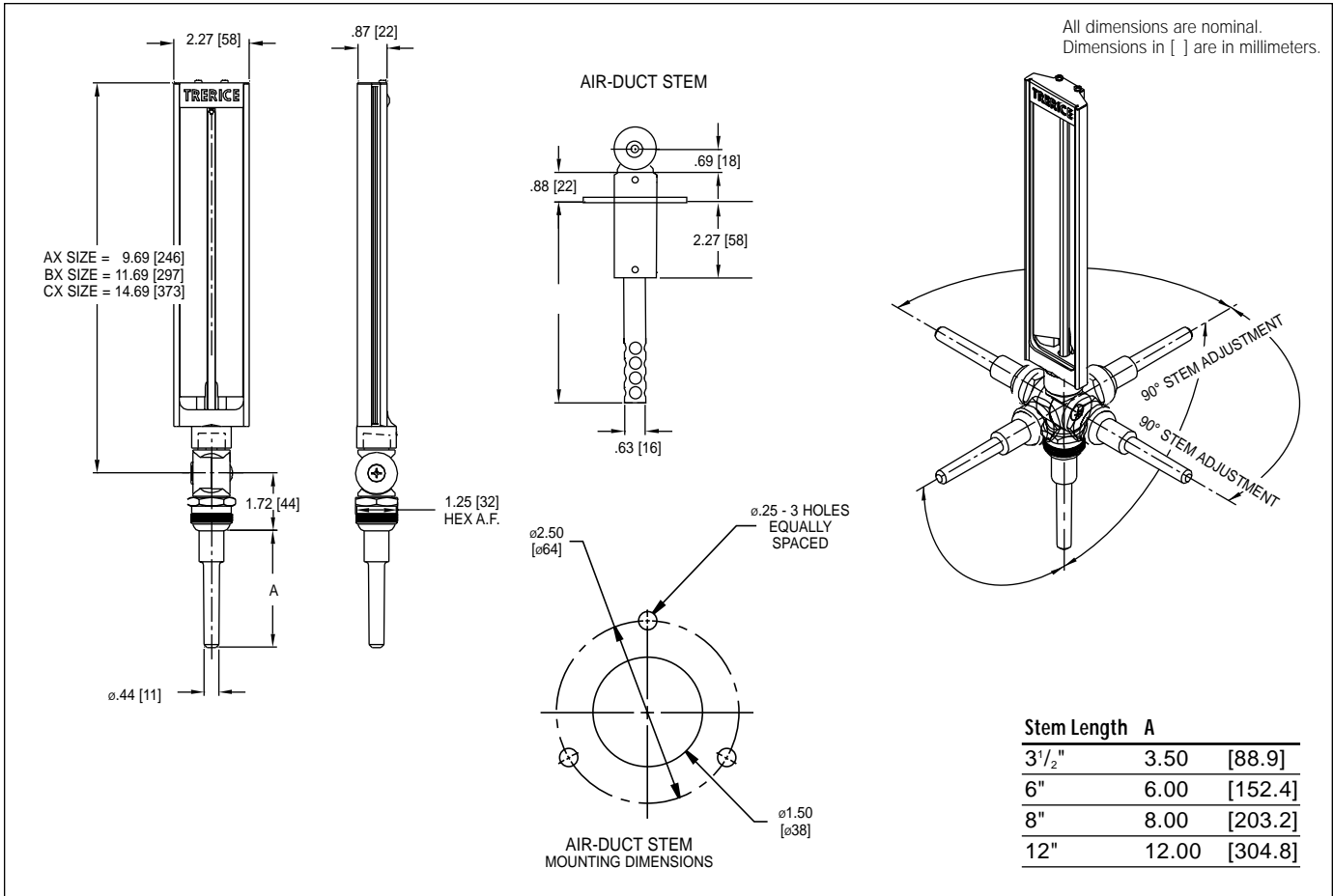
1

403

07

Model	Stem Material	Stem Length	Specific Range
AX9 7" Adjustable	1 Aluminum (standard)	403 3 1/2"	See Standard
BX9 9" Adjustable	2 Brass	406 6"	Available Ranges
CX9 12" Adjustable	3 304 SS	408 8"	(over)
	9 Air Duct	512 12"	
		006 6" Air-Duct	
		012 12" Air-Duct	

Adjustable Angle Industrial Thermometer



Standard Available Ranges

Fahrenheit Ranges		Celsius Ranges		Dual Scale Ranges		Fahrenheit		Celsius	
Range Code	Range	Range Code	Range	Range Code	Range	Figure Intervals	Minor Divisions	Figure Intervals	Minor Divisions
01	-40° to 110°F	17	-40° to 40°C	41	-40° to 110°F & -40° to 40°C	10°	2°	10°	1°
02	0° to 100°F	24	-18° to 38°C	42	0° to 100°F & -18° to 38°C	5°	1°	10°	1°
03	30° to 130°F	25	0° to 55°C	43	30° to 130°F & 0° to 55°C	5°	1°	5°	1°
04	0° to 160°F	26	-18° to 70°C	44	0° to 160°F & -18° to 70°C	10°	2°	5°	1°
06	30° to 180°F	27	0° to 82°C	46	30° to 180°F & 0° to 82°C	10°	2°	5°	1°
07	30° to 240°F	19	0° to 115°C	47	30° to 240°F & 0° to 115°C	10°	2°	5°	1°
08	30° to 300°F	20	0° to 150°C	48	30° to 300°F & 0° to 150°C	10°	2°	10°	2°
09	50° to 400°F	28	10° to 205°C	49	50° to 400°F & 10° to 205°C	25°	5°	10°	2°
10	100° to 550°F	29	40° to 290°C	50	100° to 550°F & 40° to 290°C	25°	5°	10°	2°