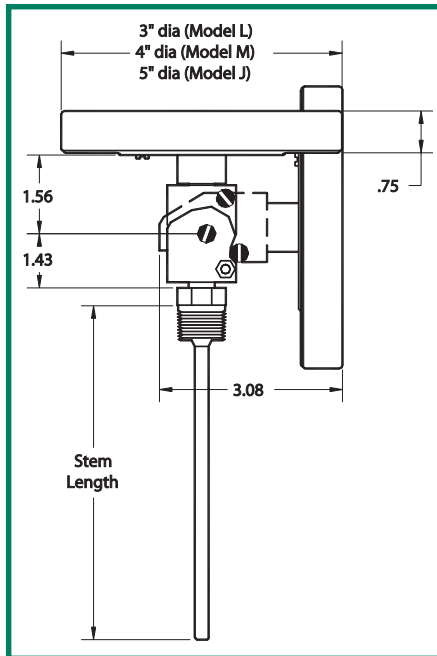
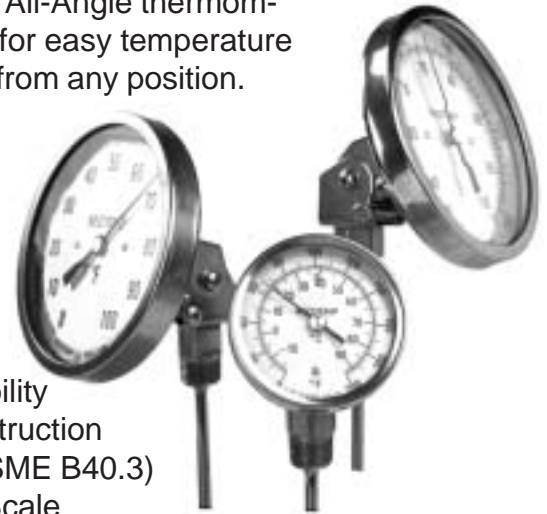


Adjustable Angle

Bimetal Thermometers Industrial 3", 4", 5" Dial



REO TEMP All-Angle thermometer allows for easy temperature monitoring from any position.



Standard Features

- Complete 180° Adjustability
- All Stainless Steel Construction
- Hermetically Sealed (ASME B40.3)
- Accurate to 1% of Full Scale
- Standard External Reset
- Silicone Fillable for Vibration
- 360° Case Rotation

How to Order

LL

060

1

F43

SF

Models	Stem Length	Connection	Temperature Ranges <small>See pg.13 for a full list.</small>	Options
Standard Models		Standard Threaded	Fahrenheit Ranges	
LL = Model L (3" dial, reset)	025 = 2.5"	1 = 1/2" NPT (std.)	F23 -40 TO 160°F	PS = Pointed Stem
MM = Model M (4" dial, reset)	040 = 4"	5 = 3/4" NPT adapter	F55* 25 TO 125°F	SF = Silicone Fill (max temp 550°F)
JJ = Model J (5" dial, reset)	060 = 6"	U = 1/2" NPT Union	F43 0 TO 200°F	SS = 316 SS Stem
	090 = 9"		F47 0 TO 250°F	F3 = 3/8" dia. Stem
	120 = 12"	Sanitary*	F63 50 TO 300°F	PC = Acrylic Window
	150 = 15"	C = 1-1/2" Tri-Clamp	F67 50 TO 500°F	PY = Polycarbonate Window
	180 = 18"	L = 2" Tri-Clamp	F81 150 TO 750°F	TG = Tempered Glass Window
	240 = 24"	M = 3/4" Tri-Clamp	F85 200 TO 1000°F	MM = Max/Min Pointer
	300 = 30"		Celsius Ranges	
	360 = 36"		C23 -40 TO 70°C	
	-Intermediate lengths available up to 80"		C55* 0 TO 50°C	
	-Specify length in inches + tenths		C43 0 TO 100°C	
			C47 -20 TO 120°C	
			C59 0 TO 150°C	
			C67 0 TO 250°C	
			C81 0 TO 400°C	
			C85 100 TO 500°C	
			Dual F/C Ranges	
			D23 -40 TO 160°F & -40 TO 70°C	
			D55* 25 TO 125°F & 0 TO 50°C	
			D43 0 TO 200°F & 0 TO 100°C	
			D47 0 TO 250°F & -20 TO 120°C	
			D63 50 TO 300°F & 10 TO 150°C	
			D67 50 TO 500°F & 0 TO 250°C	
			D81 150 TO 750°F & 0 TO 400°C	
			D85 200 TO 1000°F & 100 TO 500°C	
				For Thermowells see pg. 14
		<small>*-Other sizes available</small>	<small>*-Not available in 2.5" stem.</small>	