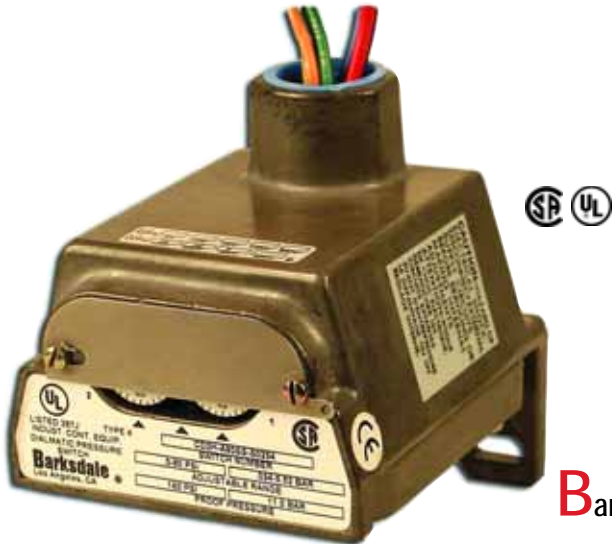


CD1H, CD2H Pressure Switch

Diaphragm
CD1H, CD2H Series

- ✦ High Reliability
- ✦ Extremely Versatile
- ✦ Calibrated Dial for Easy Set Point Adjustment
- ✦ Ideal for Pressure or Vacuum



Barksdale's CD1H and CD2H Housed Diaphragm Pressure

Switches provide an ideal solution for pressure control applications requiring tamper proof external adjustment and environments which require water-tight NEMA 4 housings. These pressure switches are available in single or dual control settings for both positive pressure and vacuum models, to 150 psi. These snap-action switches may be wired normally open or normally closed through a 3/4"-14 NPT conduit connector to free leads to 18". All models feature self-locking set screw adjustment and dials which are calibrated for increasing setting. For applications requiring a highly accurate switch in a durable package, **Barksdale's CD1H and CD2H Diaphragm Pressure Switches** are the ideal choice. Stripped models are also available.

CD1H, CD2H Pressure Switch

With Barksdale - Pressure's No Problem

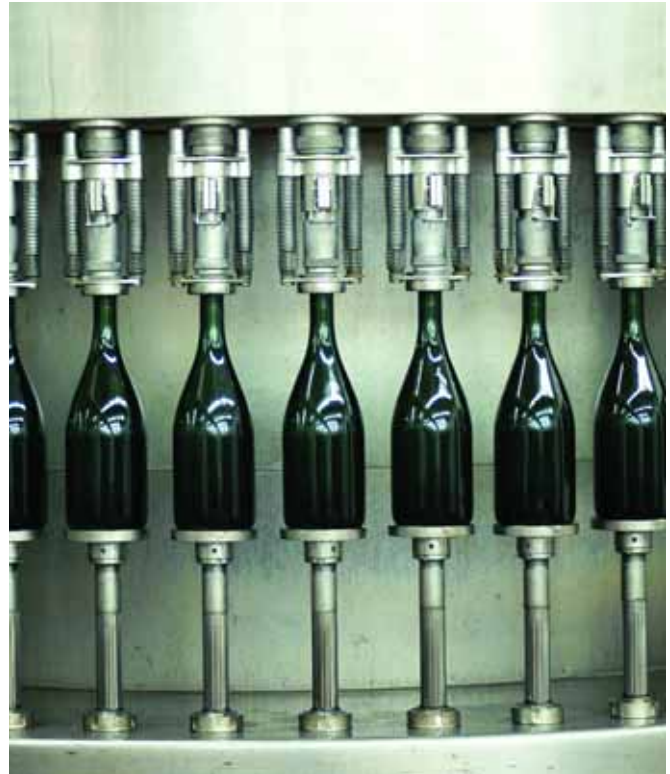
As a recognized leader in the manufacture of pressure product solutions, Barksdale pressure switches meet the demanding needs of our customers. From 29" Hg to 18,000 psi, Barksdale has pressure switches for a variety of applications – from transformers to natural gas compressors to beverage dispensers – and more!

Barksdale's Diaphragm Pressure Switches provide an economical solution for your pressure sensing needs. Diaphragm switches accurately control pressures from 30 inches of mercury vacuum to 150 psi positive pressure, and can be factory pre-set upon request. Setpoint adjustment is easily accomplished by turning the adjustment screws, which are protected by a tamper-resistant cover on housed models. A variety of available factory options allows the Diaphragm switches to be configured to the exact needs of your application.

Diaphragm Pressure Switch Applications

With its economical design and high repeatability, **Barksdale's Diaphragm Pressure Switches** provide an accurate and reliable solution for pressures up to 150 psi, making them ideal for use in:

- Pump & Compressor Monitoring
- Air Proving in HVAC Systems
- Engine Monitoring
- Machine Tools
- Hydraulic Power Units



Need Something Special?

If you have special product requirements, we can help. Barksdale specializes in custom design solutions to meet your needs. Our reputation is built on creating custom products for customers committed to getting exactly what they need. We have design engineers and technical specialists who are experts in solving your unique pressure problems. Our technology and resources are at your disposal.

Need More Information?

Call us. We are only a phone call away.
Toll-Free: 1-800-835-1060.

CD1H, CD2H Pressure Switch

General Description

Electrical Characteristics All models incorporate Underwriters' Laboratories, Inc. listed single pole double throw snap-action switching elements.

Performance Characteristics

Accuracy +/- 0.5% of the adjustable range
Switch Type SPDT single or dual circuit
Rating 10 Amps @ 125/250 VAC, 3 Amps @ 480 VAC; .5 Amps @ 24 VDC (Class A or H Limit Switch); Consult sales drawing for ratings of optional Limit Switches

Physical

Weight Approximate 1.75 lbs.
Enclosure/Housing NEMA 4
Electrical Connection Free leads approximately 18" long, 16 AWG through 3/4" NPT conduit connector.
Pressure Connection 1/4" NPT internal thread.
Diaphragm 17-7 PH stainless steel

Approvals/Listings

UL All models are Underwriters' Laboratories listed in the Electrical Construction Materials Directory under Industrial Control Equipment. Float and Pressure Operated, File E42816, and Canadian Standards Association Listed under Guide 380-W-1.16, Class 3231, File 22355.
CSA Listed under Guide 380-W-1.16, Class 3231, File 22355

Environmental

Temperature Range
Operating -65° to +165°F (-54° to +74°C)
Storage -65° to +200°F (-54° to +93°C)

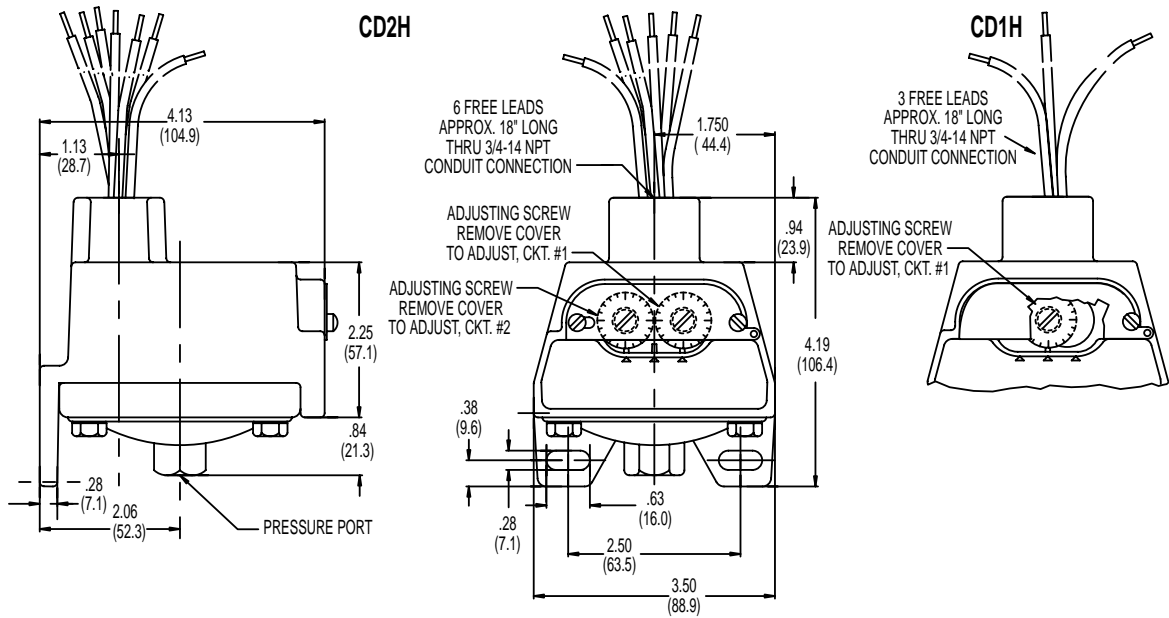
WIRE CODE				
Lead	Circuit #1		Circuit #2	
	Pressure	Vacuum	Pressure	Vacuum
Normally Closed	Blue	Red	Orange	Yellow
Common	Purple	Purple	Brown	Brown
Normally Open	Red	Blue	Yellow	Orange

Adjustment Instructions

Pressure Turn self-locking adjustment screw counter clockwise to increase pressure setting
Vacuum Turn self-locking adjustment screw clockwise to increase vacuum setting

Consult Factory for These Options

Cleaned for Oxygen Service
 1/2" NPT Pressure Port



CD1H, CD2H Pressure Switch

Diaphragm

CD1H, CD2H Series

H Hermetically sealed limit switch (optional); Class 1 Division 2. Requires Class AA, CC, or HH limit switch.

Basic Configuration

CD1H	Single setpoint housed
CD2H	Dual setpoint housed
VCD1H	Single setpoint housed - Vacuum
VCD2H	Dual setpoint housed - Vacuum

Limit Switch

- A 10 Amps @ 125/250 VAC; 3 Amps @ 480 VAC; .5 Amp @ 24 VDC (standard for 3SS, 80SS, and 150SS ranges)
- B 10 Amps @ 125/250/480 VAC; 2 Amps @ 600 VAC; 15 Amps @ 12 VDC (consult sales drawing for deadband values)
- H 10 Amps @ 125/250 VAC; 3 Amps @ 480 VAC; .5 Amp @ 24 VDC (standard for 2SS and 18SS ranges)
- M 10 Amps @ 125/250 VAC; 3 Amps @ 480 VAC; 15 Amps @ 12 VDC; 2 Amps @ 24 VDC (consult sales drawing for deadband values)
- GH 1 Amp @ 125 VAC; 1 Amp @ 24 VDC Gold Contact (consult sales drawing for deadband values)
- AA Hermetically sealed; 4 Amps @ 125/250 VAC (consult sales drawing for deadband values)
- CC Hermetically sealed; 10 Amps @ 125/250 VAC (consult sales drawing for deadband values)
- HH Hermetically sealed; 5 Amps @ 125/250 VAC (consult sales drawing for deadband values)

Adjustable Range

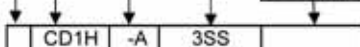
	Adjustable Range				Approx. Deadband (Actuation Value)	Proof Pressure
	Decreasing - psi (bar)		Increasing - psi (bar)			
	Min	Max	Min	Max		
2SS	0.5 (.03)	34.6 (2.4)	1.9 (.13)	36 (2.4)	.6 - 1.4 (.04 - .1)	83.3" H2O
3SS	.3 (.02)	2.85 (.2)	.18 (.01)	3 (.2)	.07 - .15 (0 - .01)	10 (.7)
18SS	.4 (.03)	17.74 (1.2)	.66 (.04)	18 (1.2)	.12 - .26 (.01 - .02)	60 (4.1)
80SS	.5 (.03)	76.6 (5.2)	3.9 (.3)	80 (5.4)	1.6 - 3.4 (.1 - .2)	160 (10.9)
150SS	1.5 (.1)	144.0 (9.8)	7.5 (.5)	150 (10.2)	2.3 - 6.0 (.2 - .4)	300 (20.4)

VACUUM SWITCHES

	Adjustable Range				Approx. Deadband (Actuation Value)	Proof Pressure
	Decreasing - In. Hg		Increasing - In. Hg			
	Min	Max	Min	Max		
3SS	0.06	5.72	0.34	6	.14 - .28	6
18SS	0.8	29.2	1.6	30	.4 - .8	30

Options

- WXXX Extra wire length (XXX = inches)
- P2 1/2" NPT Pressure Fitting
- Z1 Oxygen cleaned
- SXXX Factory pre-set (consult factory)



Example: CD1H-A3SS

Miscellaneous:

Paper Tag	\$5.00
Metal Tag:	\$10.00

Barksdale

CONTROL PRODUCTS

3211 Fruitland Avenue • Los Angeles, CA 90058 • ☎ 800-835-1060 • Fax: 323-589-3463 • www.barksdale.com