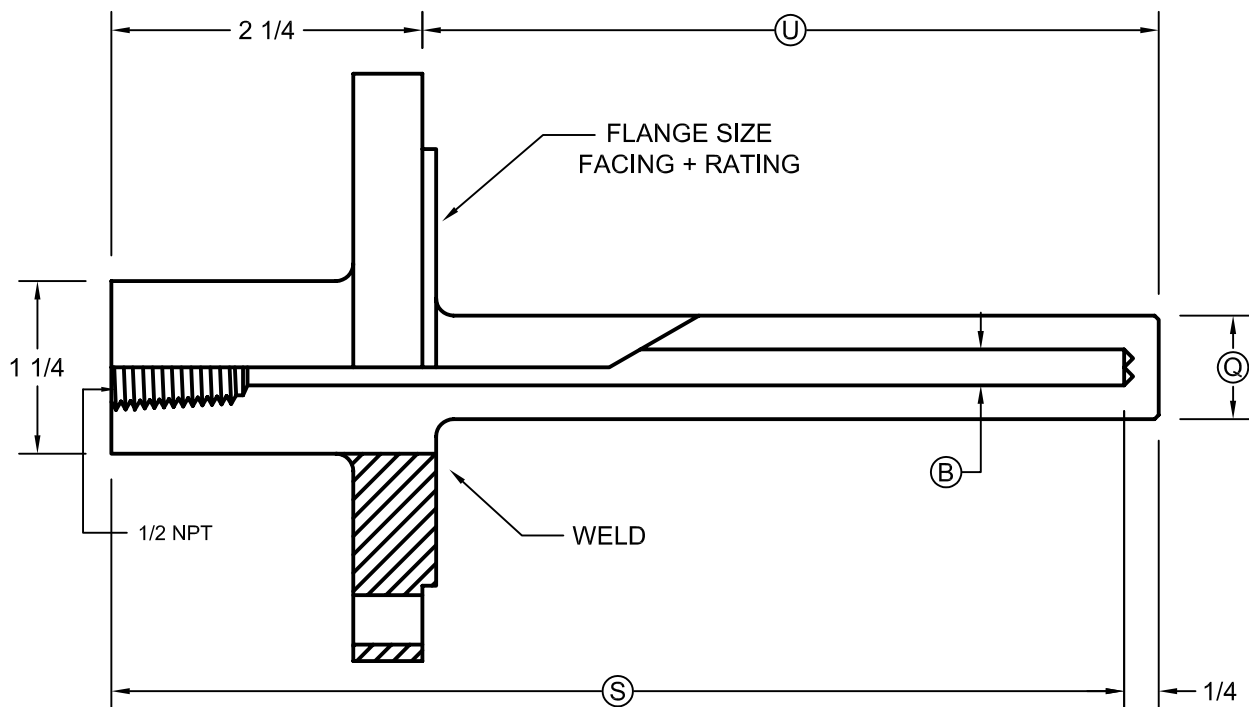
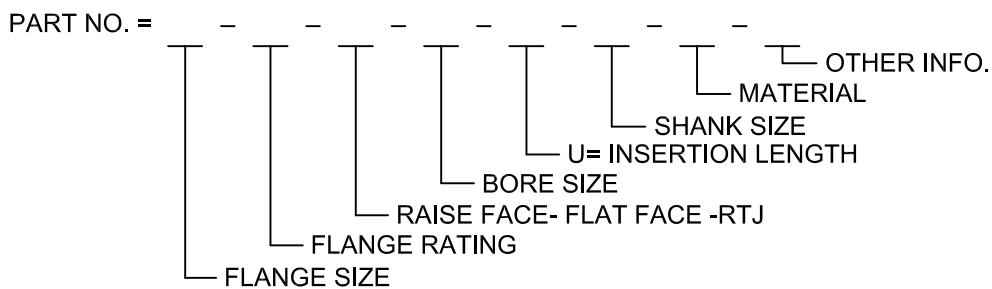


# FLANGED THERMOWELLS

## FOR 1/4 AND 3/8 DIAMETER ELEMENTS



| SIZE  | RATING   | FACING   |
|-------|----------|----------|
| 1     | 150      | RF OR FF |
| 1 1/2 | 150      | RF OR FF |
| 2     | 150      | RF OR FF |
| 1     | 150      | RTJ      |
| 1 1/2 | 150      | RTJ      |
| 2     | 150      | RTJ      |
| 1     | 300      | RF OR FF |
| 1 1/2 | 300      | RF OR FF |
| 2     | 300      | RF OR FF |
| 1     | 300      | RTJ      |
| 1 1/2 | 300      | RTJ      |
| 2     | 300      | RTJ      |
| 1     | 400-600  | RF OR FF |
| 1 1/2 | 400-600  | RF OR FF |
| 2     | 400-600  | RF OR FF |
| 1     | 400-600  | RTJ      |
| 1 1/2 | 400-600  | RTJ      |
| 2     | 400-600  | RTJ      |
| 1     | 900-1500 | RF OR FF |
| 1 1/2 | 900-1500 | RF OR FF |
| 2     | 900-1500 | RF OR FF |
| 1     | 900-1500 | RTJ      |
| 1 1/2 | 900-1500 | RTJ      |
| 2     | 900-1500 | RTJ      |



### B= 260F

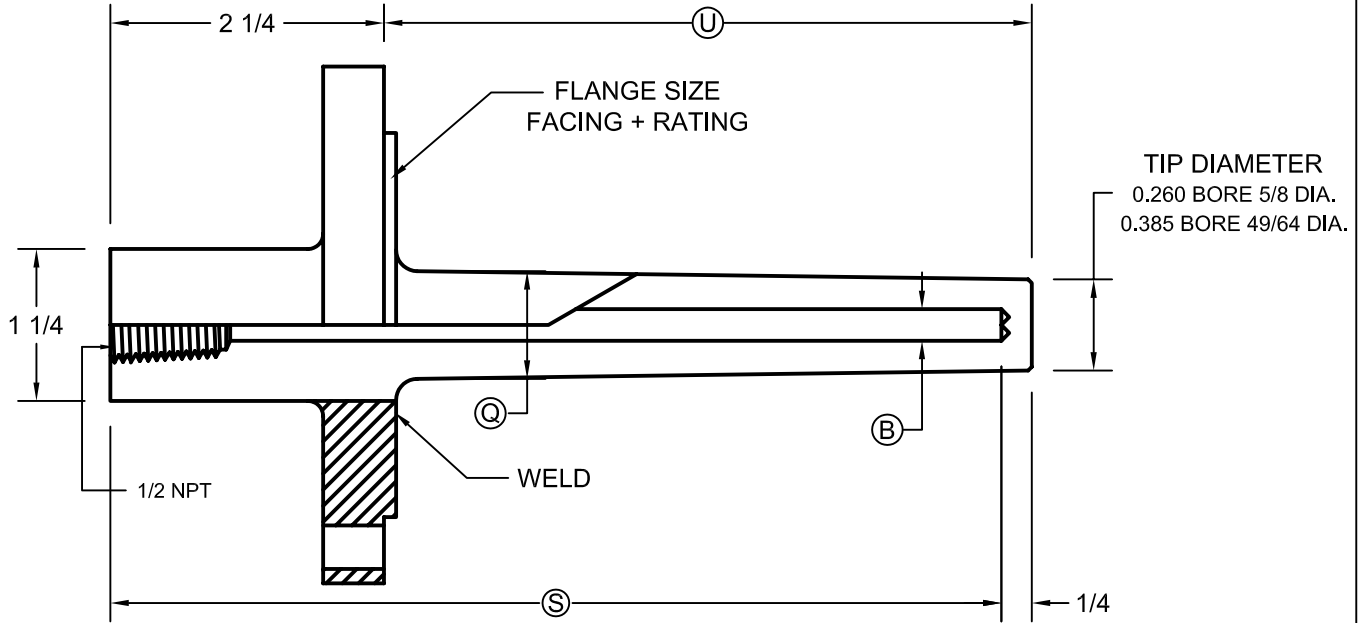
| PART NO.  | Q   | U  | S  |
|-----------|-----|----|----|
| 260F- U2  | 3/4 | 2  | 4  |
| 260F- U4  | 3/4 | 4  | 6  |
| 260F- U7  | 3/4 | 7  | 9  |
| 260F- U10 | 3/4 | 10 | 12 |
| 260F- U13 | 3/4 | 13 | 15 |
| 260F- U16 | 3/4 | 16 | 18 |
| 260F- U22 | 3/4 | 22 | 24 |

### B= 385F

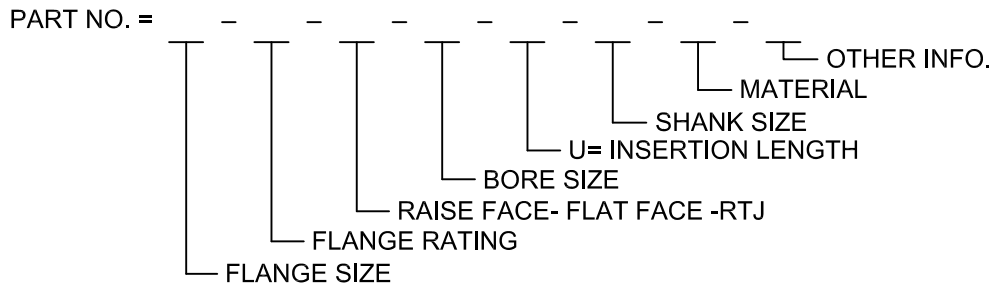
| PART NO.  | Q   | U  | S  |
|-----------|-----|----|----|
| 385F- U2  | 7/8 | 2  | 4  |
| 385F- U4  | 7/8 | 4  | 6  |
| 385F- U7  | 7/8 | 7  | 9  |
| 385F- U10 | 7/8 | 10 | 12 |
| 385F- U13 | 7/8 | 13 | 15 |
| 385F- U16 | 7/8 | 16 | 18 |
| 385F- U22 | 7/8 | 22 | 24 |

# FLANGED THERMOWELLS TAPER SHANK

FOR 1/4 AND 3/8 DIAMETER ELEMENTS



| SIZE  | RATING   | FACING   |
|-------|----------|----------|
| 1     | 150      | RF OR FF |
| 1 1/2 | 150      | RF OR FF |
| 2     | 150      | RF OR FF |
| 1     | 150      | RTJ      |
| 1 1/2 | 150      | RTJ      |
| 2     | 150      | RTJ      |
| 1     | 300      | RF OR FF |
| 1 1/2 | 300      | RF OR FF |
| 2     | 300      | RF OR FF |
| 1     | 300      | RTJ      |
| 1 1/2 | 300      | RTJ      |
| 2     | 300      | RTJ      |
| 1     | 400-600  | RF OR FF |
| 1 1/2 | 400-600  | RF OR FF |
| 2     | 400-600  | RF OR FF |
| 1     | 400-600  | RTJ      |
| 1 1/2 | 400-600  | RTJ      |
| 2     | 400-600  | RTJ      |
| 1     | 900-1500 | RF OR FF |
| 1 1/2 | 900-1500 | RF OR FF |
| 2     | 900-1500 | RF OR FF |
| 1     | 900-1500 | RTJ      |
| 1 1/2 | 900-1500 | RTJ      |
| 2     | 900-1500 | RTJ      |



**B= 260F**

| PART NO.   | Q      | U  | S  |
|------------|--------|----|----|
| 260FH- U2  | 7/8    | 2  | 4  |
| 260FH- U4  | 7/8    | 4  | 6  |
| 260FH- U7  | 7/8    | 7  | 9  |
| 260FH- U10 | 7/8    | 10 | 12 |
| 260FH- U13 | 1-1/16 | 13 | 15 |
| 260FH- U16 | 1-1/16 | 16 | 18 |
| 260FH- U22 | 1-1/16 | 22 | 24 |

**B= 385F**

| PART NO.   | Q      | U  | S  |
|------------|--------|----|----|
| 385FH- U2  | 7/8    | 2  | 4  |
| 385FH- U4  | 7/8    | 4  | 6  |
| 385FH- U7  | 7/8    | 7  | 9  |
| 385FH- U10 | 7/8    | 10 | 12 |
| 385FH- U13 | 1-1/16 | 13 | 15 |
| 385FH- U16 | 1-1/16 | 16 | 18 |
| 385FH- U22 | 1-1/16 | 22 | 24 |