

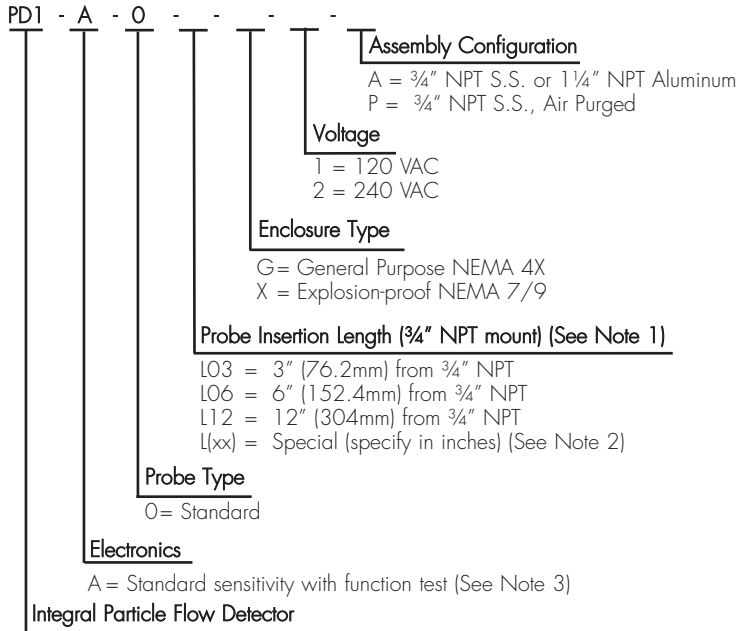


Bindicator®'s Flo-Guard® is a stable and reliable Broken Bag Detector and a Flow/No-Flow Switch for dry, powdered, and granular materials. The Flo-Guard® uses a floating alarm point reference and a digital triboelectric microcontroller to eliminate instability common in other flow switches.

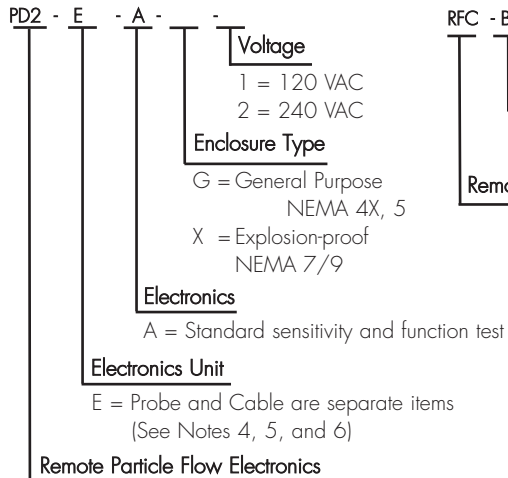
Features and Benefits

- Fob Function Test**
Tests operation without removing cover
- External Alarm and Power LEDs**
Verify operation quickly
- Field Selectable Fail-Safe Operation**
Alarms on presence or absence of material flow
- Remote Version Available**
For ground level access, high vibration areas, or high temperature applications
- Captive Screws**
No lost screws

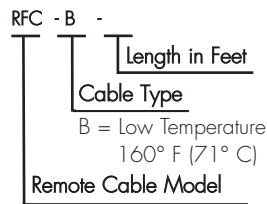
Integral Model Selection



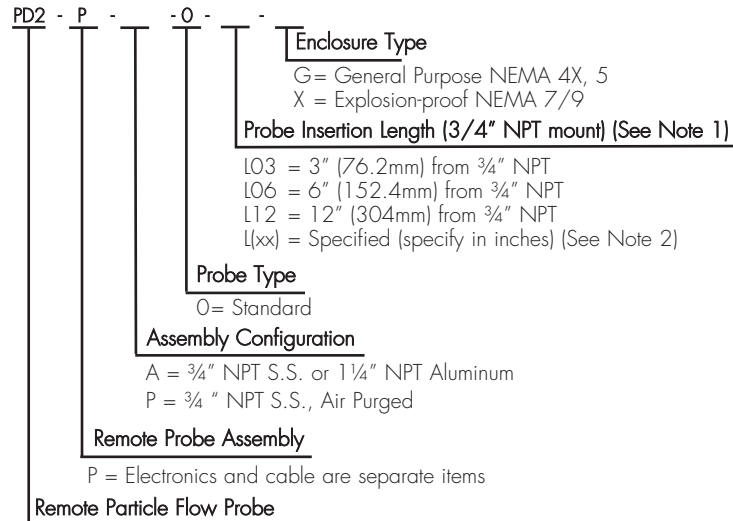
Remote Electronics Model



Remote Cable



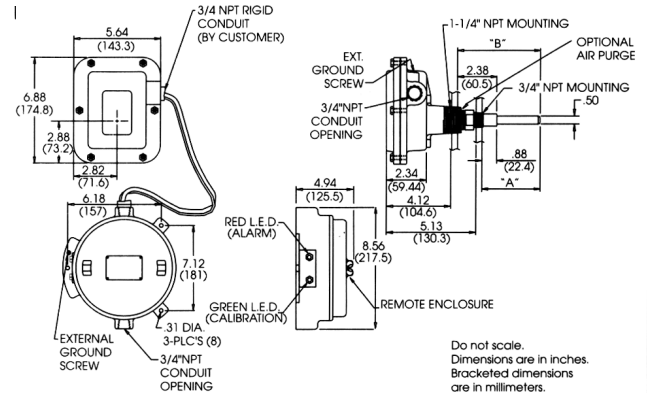
Remote Probe Model Selection



- Enclosure Ratings:** General purpose NEMA 4X,5
Explosion-proof NEMA 7/9
- Enclosure Material:** Polyester coated aluminum
- Output Relay:** DPDT, 5A @ 250 VAC or 28 VDC
- Temperature Range:** -40° F to 180° F (-40° C to 80° C)
- Probe:** 325° F (162° C) maximum
- Pressure:** 30 psi (2.11 kg/cm²) 1 1/4" NPT alum. mount
50 psi (3.5 kg/cm²) 3/4" NPT S.S. mount
- Senses Dust at bottom:** 0.00028 grams/ft³
- Mounting:** 1 1/4" NPT aluminum or 3/4" NPT S.S.
- Air Purge:** 1/8" NPT S.S.
- Probe Material:** 316 S.S.
- Insulation Material:** Teflon®
- Time Delay:** 0, 5, 10 or 15 seconds field selectable for "on" or "off"
- Failsafe:** Field adjustable to alarm at presence or absence of material flow
- Air Purged:** Maximum 1 psi recommended
- Approvals:** UL listed for explosion-proof (NEMA 7/9) Class I, Groups C & D and Class II, Groups E, F & G.

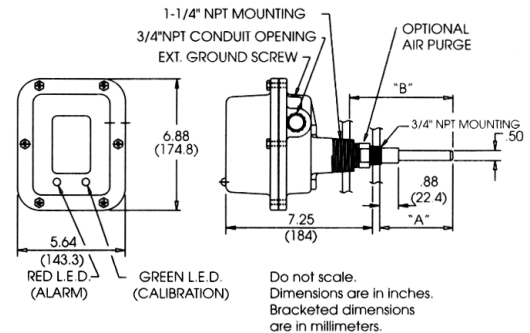
Dimensions

Remote Unit



Probe Insertion		
Description	DIM "A"	DIM "B"
Active Rod, 3"	3.00	4.38
Active Rod, 6"	6.00	7.38
Active Rod, 12"	12.00	13.38

Integral Unit



Probe Insertion		
Description	DIM "A"	DIM "B"
Active Rod, 3"	3.00	4.38
Active Rod, 6"	6.00	7.38
Active Rod, 12"	12.00	13.38

Notes

- Note 1:** For insertion length on 1 1/4" NPT mounting, add 1.25" (31.75mm).
- Note 2:** When ordering the option please specify the probe insertion length in inches (within parenthesis) after special option, i.e. L(18:).
- Note 3:** Order the external test fob separately. Part Number LPD 130004.
- Note 4:** The total length of cable is not to exceed 250 feet (76.2m) from electronics.
- Note 5:** Order remote cable assembly as a separate item.
- Note 6:** Order external test fob separately, Part No. LPD 130005.



150 Venture Boulevard · Spartanburg, SC 29306
Tel: (800) 778-9242 · (864) 574-8060
Fax: (864) 574-8063 E-mail: sales@bindicator.com
www.bindicator.com