



Type L Series Diaphragm Seal Elements for Low Pressure Applications

- Removable Elastomer Diaphragms
 - Ideal for Low Pressure Sensitivity Bellows and Diaphragm-type Gauges
- Materials Available for Corrosive Applications
- Superior Low Pressure Response
 - Pressures as Low as 2-inches H₂O
- Large Volumetric Displacement
 - 1.38 cubic inches
- Seal Ratings to 5000 PSIG (345 bar)
- Non-Continuous Duty Seals

PRODUCT DESCRIPTION

Type L Series diaphragm seals feature removable, elastomer diaphragms that may be replaced or repaired if required. These seal elements are intended for low pressure sensitivity instruments such as bellows and diaphragm-type gauges. They are sensitive to pressure changes as low as 2-inches H₂O (51mm H₂O @ 4°C).

Type L Series diaphragm seals employ diaphragms retained between two bolted members. In the clean-out design, the diaphragms are situated between the top and middle ring. In the **LB** and **LG** design, the diaphragms are located between the top and bottom. The diaphragm is loosely retained in the upper housing for easy repair or replacement. This extends the life of the seal element and allows for field replacement and service.

There are three basic seal configurations:

- Threaded
- Flanged
- Inline Flow-Thru

Threaded Seal Elements

There are four basic versions of L Series diaphragm seals with threaded attachments. The **LB** seal element is used for pressure applications only and has a pressure rating of 1250 PSIG at 100°F (86 bar @ 38°C). The **LG** seal element is similar to the **LB** seal, except that it has a 0.25-inch NPT flushing connection.

The **LA** seal element has a standard pressure rating of 1250 PSIG at 100°F (86 bar @ 38°C), but may also be supplied with a pressure rating of up to 5000 PSIG. The **LH** seal element is similar to the **LA** seal element except that it features a 0.25-inch NPT flushing connection. Both have an extended area allowing for negative displacement making them ideal for vacuum applications.

Flanged Seal Elements

There are two basic versions of flanged L Series seal elements. The flange is a standard raised face style. The **LC** seal element may be supplied in 0.5- and 0.75-inches with CLASS 150 thru 1500 ANSI flange ratings. A 1-inch version may be supplied with a Class 150 thru 600 ANSI rating. 2- thru 8-inch versions are available with Class 150 to 300 ANSI ratings.

Inline Flow-Thru Seal Elements

Inline flow-thru L Series diaphragm seals include the **LJ** versions for 3-inch and larger pipe connections. The **LK** versions are available with 0.25-, 0.375- or 0.5-inch NPT process connections. The **LM** version is for pipe sizes from 0.75-inch to 2.5-inch schedule 40 pipe (other schedules available) where the diaphragm seal element is to be directly welded to the process pipe.

The **LN** version is for pipe sizes from 0.75- to 2.0-inches requiring ANSI ratings of 150 or 300. These may be supplied with an optional TEFLON liner.

The **LP** versions are for pipe sizes from 3- to 8-inches and with ANSI ratings of 150 or 300.

MODEL L SERIES SELECTION GUIDE

| Seal Type | Seal Mounting | Operating Temperature | Operating Pressure | Process Application | Flushing Connection |
|-----------|--------------------------------|-----------------------|---------------------------------|---------------------|--------------------------|
| LB | Thread | 100°F (38°C) | 1250 PSIG (86 bar) ² | Low Pressure | No Flush |
| LG | Thread | 100°F (38°C) | 1250 PSIG (86 bar) | Low Pressure | With Flushing Connection |
| LA | Thread | 100°F (38°C) | 1250 PSIG (86 bar) ¹ | Vacuum | No Flush |
| LH | Thread | 100°F (38°C) | 1250 PSIG (86 bar) ¹ | Vacuum | With Flushing Connection |
| LC | Flange | | Flange Dependent ² | Low Pressure | No Flush |
| LD | Flange | | Flange Dependent | Low Pressure | With Flushing Connection |
| LJ | In-Line Flow Thru ^A | 100°F (38°C) | 1250 PSIG (86 bar) | Low Pressure | No Flush |
| LK | In-Line Flow Thru ^B | 100°F (38°C) | 1250 PSIG (86 bar) | Low Pressure | No Flush |
| LM | In-Line Flow Thru ^C | 100°F (38°C) | 1250 PSIG (86 bar) | Low Pressure | No Flush |
| LN | In-Line Flow Thru ^D | | Flange & Schedule Dependent | Low Pressure | No Flush |
| LP | In-Line Flow Thru ^E | | Flange & Schedule Dependent | Low Pressure | No Flush |

Note: ¹ 5000 PSIG available @ 100°F (345 bar @ 38°C)

² LB and LC Series with non-metal exposed materials are rated at 100 PSI (7 bar)

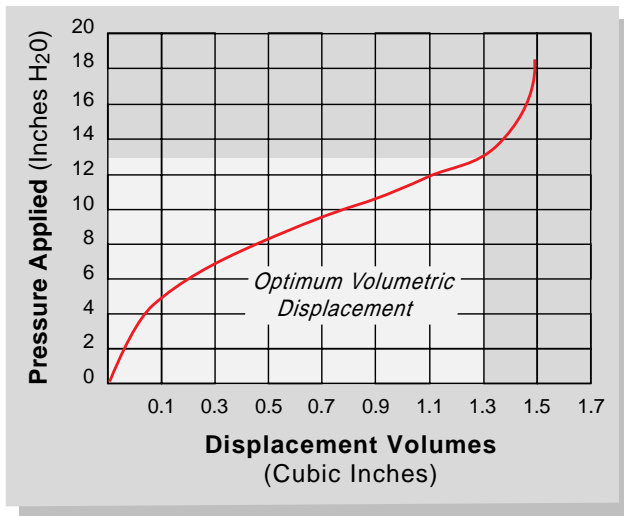
^A In-Line Flow Thru Welded by User

^B In-Line Flow Thru Thread-Attached Connection

^C In-Line Flow Thru Welded by User, Pipe Supplied, Schedule Dependent

^D In-Line Flow Thru For 0.75 to 2.0-inch Pipe Diameters

^E In-Line Flow Thru For 3.0 to 8.0-inch Pipe Diameters



Pressure vs. Volumetric Displacement

Displacement curves are provided to assist in selecting a diaphragm seal with minimal full span displacement bias effects. This graph is for reference only and may not accurately represent the maximum displacement that may be used. Contact AMETEK for exact specifications.

Application Note

Prevent inaccuracies by avoiding very low span in gauge or differential pressure applications which do not provide sufficient differential pressure energy to drive the instrument, seal element and fill liquid column.

ORDERING INFORMATION

TYPE LA AND LH SERIES DIAPHRAGM SEALS

| Order Number | Description |
|--------------|--|
| | Base Model Number- 1st thru 3rd Characters |
| LA1 | Type LA with Standard Aramid Gasket |
| LA2 | Type LA with TEFLON Gasket |
| LA3 | Type LA with TEFLON Coated 316 Stainless Steel Gasket |
| LH1 | Type LH with Standard Aramid Gasket |
| LH2 | Type LH with TEFLON Gasket (standard with TEFLON or PVC Lower Housing) |
| LH3 | Type LH with TEFLON Coated 316 Stainless Steel Gasket |
| | Instrument Connection- 4th Character |
| 2 | 0.5-inch NPT Female |
| 4 | 0.25-inch NPT Female |
| B | 0.25-inch NPT Female Elevated Pressure |
| C | 0.5-inch NPT Female Elevated Pressure |
| | Process Connection- Size- 5th Character |
| 1 | 1.0-inch |
| 2 | 0.5-inch |
| 3 | 0.75-inch |
| 4 | 0.25-inch |
| 5 | 0.375-inch |
| B | 1.50-inch |
| C | 2.0-inch (Not Available with LH Seals) |
| | Process Connection- Type- 6th Character |
| N | NPT Female Threaded |
| | Exposed Material- 7th Character |
| 2 | Carpenter 20 |
| 3 | 304L (Low Carbon) Stainless Steel (Special Order) |
| 4 | 304 Stainless Steel |
| 6 | 316 Stainless Steel |
| C | Hastelloy C276 |
| H | Hastelloy B2 |
| I | Inconel 600 |
| L | 316L (Low Carbon) Stainless Steel (Special Order) |
| M | Monel 400 |
| N | Nickel 200 |
| S | Zinc-Coated Steel |
| Y | Inconel 625 (Special Order) |
| Z | Titanium |
| | Diaphragm Material- 8th Character |
| B | Buna N |
| E | EPT |
| K | Kalrez (Special Order) |
| V | Viton |
| | Top, Bolting and Flange Options- 9th Character |
| A | Steel Top/Steel Bolting |
| B | Steel Top/316SST Bolting |
| C | 316SST Top/Steel Bolting |
| D | 316SST Top/316SST Bolting |
| | Schedule/Extension Length- 10th Character |
| - | Not Used |

(Continued)

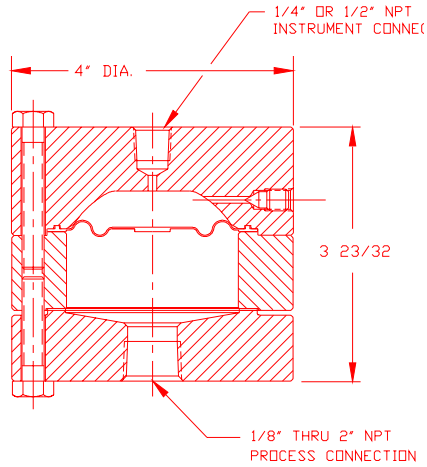
ORDERING INFORMATION

TYPE LA AND LH SERIES DIAPHRAGM SEALS

| Order Number | Description |
|---------------------------|--|
| | <p>Coating Options- 11th Character 1 TEFLON Coated Diaphragm 2 TEFLON Coated Lower Exposed 3 TEFLON Coated Exposed Surfaces - Not Used</p> <p>Fill Fluids- 12th Character (MUST specify a 13th and 14th Character) Customer Supplied (MUST Supply MSDS with Shipment) C Fluorolube FS-5 F Glycol G Halocarbon 6.3 H Instrument Oil I Low Temperature Silicone DC 200-10cs L Mineral Oil M High Temperature Silicone DC 704 S Vegetable Oil (Food Grade) V Not Used (When selected, cannot select a 13th or 14th Character) -</p> <p>Fill and Attach to Instrument- 13th Character (Customer Supplied) (MUST Specify a 12th and 14th Character) C Controller D DP Instruments (Special Order) G Gauge (> 30 PSI/2 bar) L Gauge (< 30 PSI/2 bar)(Including combination gauges with Lower ranges) M Dual Manifold Fitting R Recorder S Switch T Transducer W Recording Controller Y Transmitter Z Smart Transmitter - Not Used</p> <p>Capillary Length- 14th Character 1 Direct Connected C Capillary System (See Capillary System Section) - Not Used</p> <p>Options- 15th Character A With Material (Mill) Certification (Special Order) B With MRO 17.5 Cert. (Seal cannot have Steel Top) (Special Order) C With Certificate of Conformance F With Instrument Tag (Special Order) - Not Used</p> <p>Sample Order Number LH Series Remote Seal with 0.25-inch NPT flushing connection, 0.5-inch NPT Instrument Connection, 0.25-inch NPT Female Process Connection, 316 Exposed Material, Vtion Diaphragm, 316 Top with 316 Bolting, No Extension, No Coating and No Fill Fluids.</p> <p>Note: This diaphragm seal contains "special order" components. Please contact AMETEK for price and delivery.</p> <p>Diaphragm seals with "special order" components may not be returned for credit.</p> |
| LH1 2 4 N 6 V D - - - - - | |

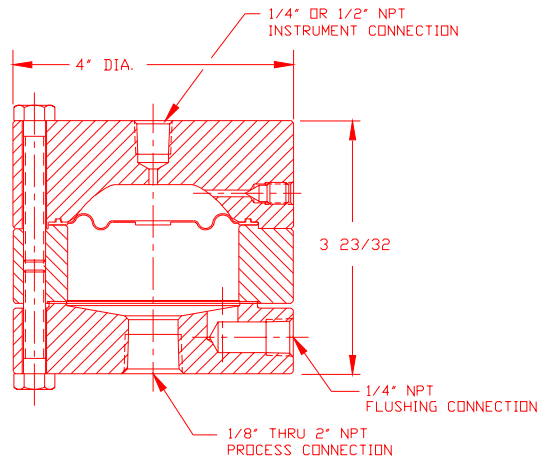
ORDERING INFORMATION

TYPE LA SERIES DIAPHRAGM SEALS



TYPE LA
1250 PSI @ 100°F
OPTIONAL 5000 PSI @ 100°F

TYPE LH SERIES DIAPHRAGM SEALS



TYPE LH
2500 PSI @ 100°F
OPTIONAL 5000 PSI @ 100°F

ORDERING INFORMATION

TYPE LB AND LG SERIES DIAPHRAGM SEALS

| Order Number | Description |
|--------------|--|
| LB1 | Base Model Number- 1st thru 3rd Characters |
| LG1 | Type LB with Standard Aramid Gasket Type LG with Standard Aramid Gasket, with 0.25-inch Flushing Connection |
| | Instrument Connection- 4th Character |
| 2 | 0.5-inch NPT Female |
| 4 | 0.25-inch NPT Female |
| B | 0.25-inch NPT Female Elevated Pressure |
| C | 0.5-inch NPT Female Elevated Pressure |
| | Process Connection- Size- 5th Character |
| 1 | 1.0-inch |
| 2 | 0.5-inch |
| 3 | 0.75-inch |
| 4 | 0.25-inch |
| 5 | 0.375-inch |
| A | 1.25-inch |
| B | 1.5-inch |
| C | 2.0-inch (Not Available with LG Seals) |
| | Process Connection- Type- 6th Character |
| 4 | Socket Welded (Tubing) |
| N | NPT Female Threaded |
| S | Socket Welded (Pipe) |
| | Exposed Material- 7th Character |
| 1 | TEFLON (Carbon Filled) (Special Order) (Not Available with LG Seals) |
| 2 | Carpenter 20 |
| 3 | 304L (Low Carbon) Stainless Steel (Special Order) |
| 4 | 304 Stainless Steel |
| 5 | TEFLON (15% Glass Filled) 100 PSIG (6.9 bar) Maximum (Not Available with LG Seals) |
| 6 | 316 Stainless Steel |
| C | Hastelloy C276 |
| H | Hastelloy B2 (Special Order) |
| I | Inconel 600 |
| L | 316L (Low Carbon) Stainless Steel (Special Order) |
| M | Monel 400 |
| N | Nickel 200 |
| O | TEFLON (Graphite Filled) (Special Order) |
| P | PVC 100 PSIG (6.9 bar) Maximum (Special Order) (Not Available on LG Seals) |
| R | Polypropylene 100 PSIG (6.9 bar) Maximum (Special Order) (Not Available on LG Seals) |
| S | Zinc-Coated Steel |
| U | CPVC 100 PSIG (6.9 bar) Maximum (Special Order) (Not Available on LG Seals) |
| W | KYNAR 100 PSIG (6.9 bar) Maximum (Not Available on LG Seals) |
| Y | Inconel 625 (Special Order) |
| Z | Titanium (Special Order) |
| | Diaphragm Material- 8th Character |
| B | Buna N |
| E | EPT |
| K | Kalrez (Special Order) |
| V | Viton |
| | Top, Bolting and Flange Options- 9th Character |
| A | Steel Top/Steel Bolting |
| B | Steel Top/316SST Bolting |
| C | 316SST Top/Steel Bolting |
| D | 316SST Top/316SST Bolting |
| - | Schedule/Extension Length- 10th Character Not Used |

(Continued)

ORDERING INFORMATION

TYPE LB AND LG SERIES DIAPHRAGM SEALS

| Order Number | Description |
|-----------------------------|--|
| | Coating Options- 11th Character TEFLON Coated Diaphragm Not Used |
| 1 | |
| - | |
| A | Fill Fluids- 12th Character |
| B | Silicone DC 510 (Special Order) |
| C | Silicone DC 550 (Special Order) |
| D | Customer Supplied Fluid (MUST Supply MSDS with shipment) |
| F | Silicone DC 710 (Special Order) |
| G | Fluorolube FS-5 |
| H | Glycol |
| I | Halocarbon 6,3 |
| J | Instrument Oil |
| L | Halocarbon 4.2 (Special Order) |
| M | Low Temperature Silicone DC 200-10cs |
| S | Mineral Oil |
| V | High Temperature Silicone DC 704 |
| W | Vegetable Oil (Food Grade) |
| - | De-Ionized Water (DI Water) |
| - | Not Used (Must use character "-" in 13th and 14th character positions) |
| C | Fill and Attach to Instrument- 13th Character (Customer Supplied) |
| D | Controllers |
| G | DP Instruments (Special Order) |
| L | Gauge (> 30 PSI/2 bar) |
| M | Gauge (< 30 PSI/2 bar)(Including combination gauges with Lower ranges) |
| R | Dual Manifold Fitting (Special Order) |
| S | Recorder |
| T | Switch |
| W | Transducer |
| Y | Recording Controller |
| Z | Transmitter |
| - | Smart Transmitter |
| - | Not Used |
| 1 | Capillary Length- 14th Character |
| C | Direct Connected |
| - | Capillary System (See Capillary System Section) |
| - | Not Used |
| A | Options- 15th Character |
| B | With Material (Mill) Certification (Special Order) |
| C | With MRO 17.5 Cert. (Seal cannot have Steel Top) (Special Order) |
| F | With Certificate of Conformance |
| J | With Instrument Tag (Special Order) |
| T | With (2) Flushing Connections (Type RG Only) (Special Order) |
| - | With Gauge Locking Device (Filled Assemblies Only)(Special Order) |
| - | Not Used |
| LBX 2 3 N 6 V D - - - - - A | |

Sample Order Number
 LB Series, 0.5-inch Instrument Connection 0.75-inch NPTF threaded Process Connection. 316 bottom with 316 diaphragm. 316 top with 316 boltings. Top is epoxy coated. No fill required. Supplied with Material Certification.

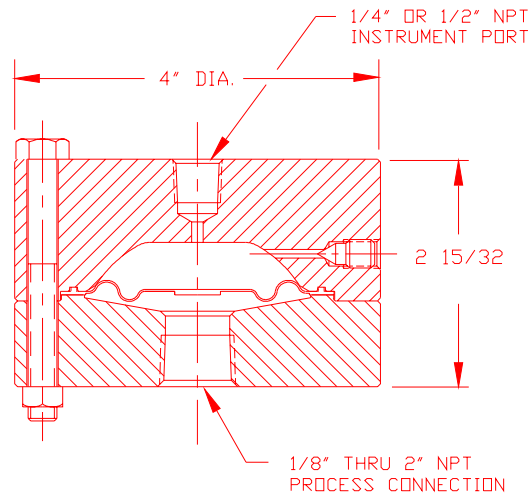
Note:
 This diaphragm seal contains "special order" components. Please contact AMETEK for price and delivery.

Diaphragm seals with "special order" components may not be returned for credit.

ORDERING INFORMATION

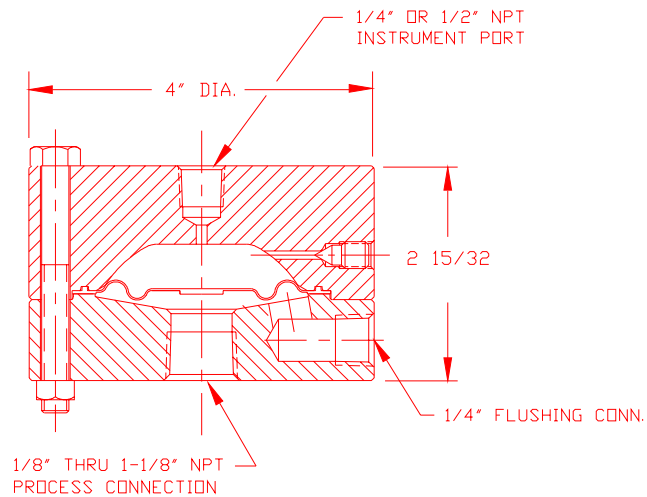
TYPE LB AND LG SERIES DIAPHRAGM SEALS

Order Number Description



TYPE LB

1250 PSI @ 100° F
 OPTIONAL: 5000 PSI @ 100° F
 (TO BE USED FOR PRESSURE APPLICATIONS ONLY)



TYPE LG

1250 PSI @ 100° F
 OPTIONAL: 5000 PSI @ 100° F
 (TO BE USED FOR PRESSURE APPLICATIONS ONLY)

ORDERING INFORMATION

TYPE LC AND LD SERIES DIAPHRAGM SEALS

| Order Number | Description |
|--------------|--|
| LCX | Base Model Number- 1st thru 3rd Characters |
| LDX | Type LC, Non-Gasketed Diaphragm Seal Type LD, No-Gasketed Diaphragm Seal with 0.25-inch Flushing Connection |
| | Instrument Connection- 4th Character |
| 2 | 0.5-inch NPT Female |
| 4 | 0.25-inch NPT Female |
| | Process Connection- Size- 5th Character (Bolts and Studs are NOT Supplied unless otherwise noted) |
| 1 | 1.0-inch (Studs Supplied) (Not Available with Non-metal Bottom) |
| 2 | 0.5-inch (Studs Supplied) (Not Available with Non-metal Bottom) |
| 3 | 0.75-inch (Studs Supplied) (Not Available with Non-metal Bottom) |
| B | 1.5-inch |
| C | 2.0-inch |
| D | 3.0-inch |
| E | 4.0-inch |
| | Process Connection- Type- 6th Character (See Dimension Drawings) |
| 1 | 150# Raised Face (RF) Flange |
| 3 | 300# Raised Face (RF) Flange |
| 6 | 600# Raised Face (RF) Flange (Not Available with Non-metal Bottoms) |
| C | 150# Flat Face (FF) Flange (Full flat face below 1-inch 150#) (Reduced diameter flat face standard on other sizes) |
| D | 150# Ring Joint (RJ) Flange (Special Order) |
| E | 300# Flat Face (FF) Flange (Full flat face below 1-inch 150#) (Reduced diameter flat face standard on other sizes) |
| F | 300# Ring Joint (RJ) Flange (Special Order) |
| G | 600# Flat Face (FF) Flange (Full flat face below 1-inch 150#) (Reduced diameter flat face standard on other sizes) |
| | Exposed Material- 7th Character |
| 2 | Carpenter 20 (Special Order) |
| 5 | TEFLON (15% Glass Filled) 100 PSIG (6.9 bar) Maximum (Not Available on LD Seals) |
| 6 | 316 Stainless Steel |
| C | Hastelloy C276 |
| L | 316L (Low Carbon) Stainless Steel (Special Order) |
| S | Zinc-Coated Steel |
| | Diaphragm Material- 8th Character |
| B | Buna N |
| E | EPT |
| K | Kalrez (Special Order) |
| V | Viton |
| | Top, Bolting and Flange Options- 9th Character |
| A | Steel Top/Steel Bolting |
| B | Steel Top/316SST Bolting |
| C | 316SST Top/Steel Bolting |
| D | 316SST Top/316SST Bolting |
| | Schedule/Extension Length- 10th Character |
| - | Not Used |
| | Coating Options- 11th Character |
| 1 | TEFLON Coated Diaphragm |
| 2 | TEFLON Coated Lower Exposed |
| 3 | TEFLON Coated Exposed Surfaces |
| - | Not Used |

(Continued)

ORDERING INFORMATION

TYPE LC AND LD SERIES DIAPHRAGM SEALS

| Order Number | Description |
|--------------|-------------|
| LCX | A |
| 2 | B |
| 2 | C |
| 3 | D |
| 6 | F |
| V | G |
| C | H |
| - | I |
| - | J |
| - | L |
| - | M |
| - | S |
| - | V |
| - | W |
| - | - |
| - | C |
| - | D |
| - | G |
| - | L |
| - | M |
| - | R |
| - | S |
| - | T |
| - | W |
| - | Y |
| - | Z |
| - | - |
| - | 1 |
| - | C |
| - | - |
| - | A |

(Continued)

Fill Fluids- 12th Character (MUST specify 13th and 14th Character)
 Silicone DC 510 (Special Order)
 Silicone DC 550 (Special Order)
 Customer Supplied Fluid (MUST Supply MSDS with shipment)
 Silicone DC 710 (Special Order)
 Fluorolube FS-5
 Glycol
 Halocarbon 6.3
 Instrument Oil
 Halocarbon 4.2 (Special Order)
 Low Temperature Silicone DC 200-10
 Mineral Oil
 High Temperature Silicone DC 704
 Vegetable Oil (Food Grade)
 De-Ionized Water (DI Water)
 Not Used (Must use character "-" in 13th and 14th character positions)

Fill and Attach to Instrument- 13th Character (Customer Supplied)
 (MUST Specify 12th and 14th Character)
 Controllers
 DP Instruments (Special Order)
 Gauge (> 30 PSI/2 bar)
 Gauge (< 30 PSI/2 bar)(Including combination gauges with Lower ranges)
 Dual Manifold Fitting (Special Order)
 Recorder
 Switch
 Transducer
 Recording Controller
 Transmitter
 Smart Transmitter
 Not Used

Capillary Length- 14th Character
 Direct Connected
 Capillary System (See Capillary System Section)
 Not Used

Options- 15th Character
 With Material (Mill) Certification (Special Order)
 With MRO 17.5 Cert. (Seal cannot have Steel Top) (Special Order)
 With Certificate of Conformance
 With 125-250 AARH Finish (Special Order)
 With Instrument Tag (Special Order)
 With (2) Flushing Connections (Type LD Only) (Special Order)
 With Sheathed Non-Metal Lower Housing (Special Order)
 With Full Flat Face Flange (1-inch 150# and above)(Special Order)
 With Gauge Locking Device (Filled Assemblies Only)(Special Order)
 Not Used

Sample Order Number

LC Series, 0.5-inch Instrument Connection, 0.5-inch Process Connection, 300# RF flange, 316 bottom with Viton diaphragm and 316 top and alloy bolting. Supplied with Material Certification.

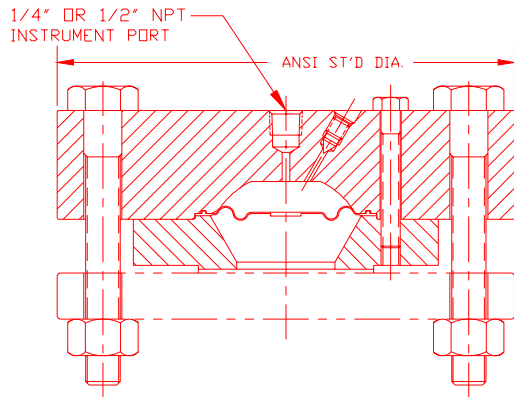
Note:

This diaphragm seal contains "special order" components. Please contact AMETEK for price and delivery.

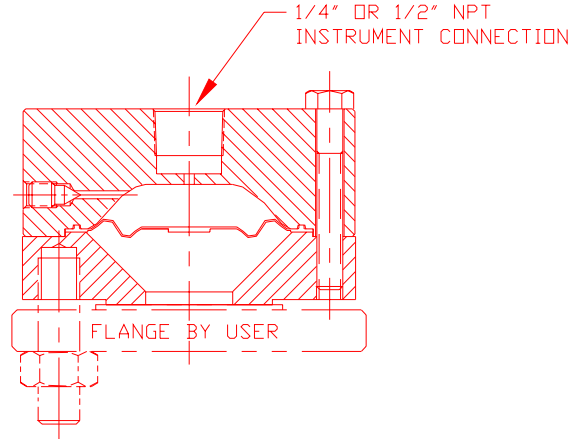
Diaphragm seals with "special order" components may not be returned for credit.

ORDERING INFORMATION

TYPE LC SERIES DIAPHRAGM SEALS

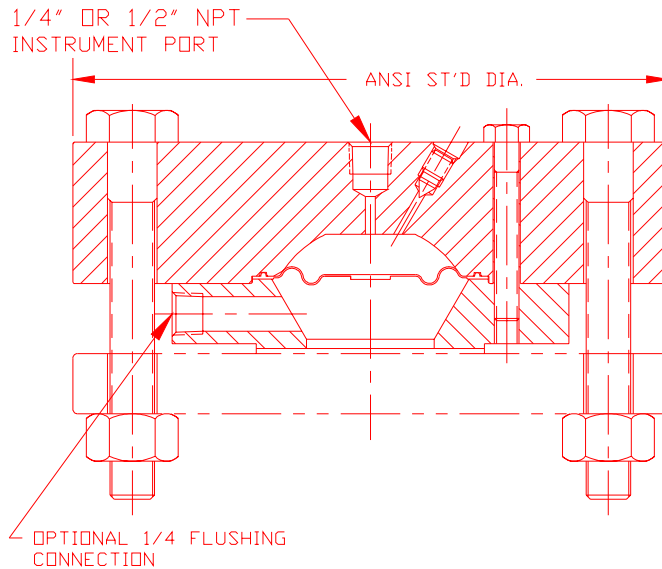


TYPE LC
2" - 4" CLASS 150 THRU 600 ANSI ST'D



TYPE LC
1/2", 3/4" CLASS 150 THRU 1500 ANSI ST'D
1" & 1-1/2" CLASS 150 THRU 600 ANSI ST'D

TYPE LD SERIES DIAPHRAGM SEALS



TYPE LD
2" - 4" CLASS 150 THRU 600 ANSI ST'D

ORDERING INFORMATION

TYPE LJ SERIES DIAPHRAGM SEALS

| Order Number | Description |
|--------------|---|
| LJ1 | Base Model Number- 1st thru 3rd Characters Type LJ with Standard Aramid Gasket |
| 2 | Instrument Connection- 4th Character |
| 4 | 0.5-inch NPT Female 0.25-inch NPT Female |
| D | Process Connection- Size- 5th Character 3.0-inch and Larger Pipe Diameter |
| U | Process Connection- Type- 6th Character Saddle Mount |
| 3 | Exposed Material- 7th Character |
| C | 304L (Low Carbon) Stainless Steel |
| L | Hastelloy C276 |
| S | 316L (Low Carbon) Stainless Steel |
| | Zinc-Coated Steel |
| B | Diaphragm Material- 8th Character |
| E | Buna N |
| K | EPT |
| V | Kalrez (Special Order) Viton |
| A | Top, Bolting and Flange Options- 9th Character |
| B | Steel Top/Steel Bolting |
| C | Steel Top/316SST Bolting |
| D | 316SST Top/Steel Bolting 316SST Top/316SST Bolting |
| - | Schedule/Extension Length- 10th Character Not Used |
| 1 | Coating Options- 11th Character |
| - | TEFLON Coated Diaphragm Not Used |
| A | Fill Fluids- 12th Character |
| B | Silicone DC 510 (Special Order) |
| C | Silicone DC 550 (Special Order) |
| D | Customer Supplied Fluid (MUST Supply MSDS with shipment) |
| F | Silicone DC 710 (Special Order) |
| G | Fluorolube FS-5 |
| H | Glycol |
| I | Halocarbon 6.3 |
| J | Instrument Oil |
| L | Halocarbon 4.2 (Special Order) |
| M | Low Temperature Silicone DC 200-10cs |
| S | Mineral Oil |
| V | High Temperature Silicone DC 704 |
| W | Vegetable Oil (Food Grade) |
| - | De-Ionized Water (DI Water) Not Used (Must use character "-" in 13th and 14th character positions) |

(Continued)

ORDERING INFORMATION

TYPE LJ SERIES DIAPHRAGM SEALS

Order Number Description

| | | | | | | | | | | | | | | | |
|---|---|---|---|---|---|---|---|---|---|---|---|---|---|---|---|
| L | J | 1 | 2 | D | U | H | V | A | - | - | - | - | - | - | F |
|---|---|---|---|---|---|---|---|---|---|---|---|---|---|---|---|

Fill and Attach to Instrument- 13th Character (Customer Supplied)
 (MUST Specify 12th and 14th Characters)

| | |
|---|--|
| C | Controllers |
| D | DP Instruments (Special Order) |
| G | Gauge (> 30 PSI/2 bar) |
| L | Gauge (< 30 PSI/2 bar)(Including combination gauges with Lower ranges) |
| M | Dual Manifold Fitting (Special Order) |
| R | Recorder |
| S | Switch |
| T | Transducer |
| W | Recording Controller |
| Y | Transmitter |
| Z | Smart Transmitter |
| - | Not Used |

Capillary Length- 14th Character

| | |
|---|---|
| 1 | Direct Connected |
| C | Capillary System (See Capillary System Section) |
| - | Not Used |

Options- 15th Character

| | |
|---|---|
| A | With Material (Mill) Certification (Special Order) |
| B | With MRO 17.5 Cert. (Seal cannot have Steel Top) (Special Order) |
| C | With Certificate of Conformance |
| F | With Instrument Tag (Special Order) |
| T | With Gauge Locking Device (Filled Assemblies Only)(Special Order) |
| - | Not Used |

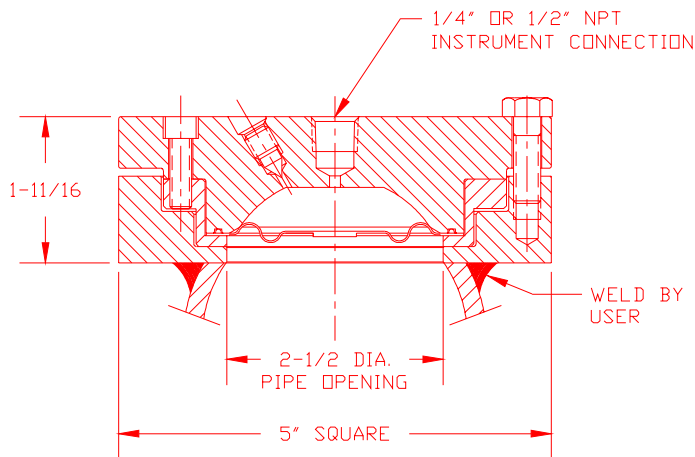
Sample Order Number

LJ Series with Aramid gasket. 0.5-inch Instrument Connection and 3.0-inch Process Connection. Saddle mount. Hastelloy B2 bottom and Viton diaphragm. Steel top and alloy boltings. Standard Schedule 40. With instrument tags.

Note:

This diaphragm seal contains "special order" components. Please contact AMETEK for price and delivery.

Diaphragm seals with "special order" components may not be returned for credit.



TYPE LJ
 FOR 3" PIPE OR LARGER
 1250 PSI @ 100° F

ORDERING INFORMATION

TYPE LK SERIES DIAPHRAGM SEALS

| Order Number | Description |
|--------------|---|
| LK1 | Base Model Number- 1st thru 3rd Characters |
| LK2 | Type LK with Standard Aramid Gasket |
| | Type LK with TEFLON Gasket (standard with TEFLON or PVC Lower Housing) |
| | Instrument Connection- 4th Character |
| 2 | 0.5-inch NPT Female |
| 4 | 0.25-inch NPT Female |
| | Process Connection- Size- 5th Character |
| 2 | 0.5-inch |
| 4 | 0.25-inch |
| 5 | 0.375-inch |
| | Process Connection- Type- 6th Character |
| 4 | Socket Weld (Tubing) (When SST is Exposed Material, ELC Alloys are used) |
| N | NPTF Threaded Female |
| S | Socket Weld (Pipe) (When SST is Exposed Material, ELC Alloys are used) |
| | Exposed Material- 7th Character |
| 2 | Carpenter 20 (Special Order) |
| 3 | 304L (Low Carbon) Stainless Steel (Standard material for Socket Weld options) (Special Order) |
| 4 | 304 Stainless Steel |
| 6 | 316 Stainless Steel |
| C | Hastelloy C276 (Special Order) |
| H | Hastelloy B2 (Special Order) |
| I | Inconel 600 (Special Order) |
| L | 316L (Low Carbon) Stainless Steel (Standard material for Socket Weld options) (Special Order) |
| M | Monel 400 (Special Order) |
| N | Nickel 200 (Special Order) |
| S | Zinc-Coated Steel |
| X | Zirconium (Special Order) |
| Y | Inconel 625 (Special Order) |
| Z | Titanium (Special Order) |
| | Diaphragm Material- 8th Character |
| B | Buna N |
| E | EPT |
| K | Kalrez (Special Order) |
| V | Viton |
| | Top, Bolting and Flange Options- 9th Character |
| A | Steel Top/Steel Bolting |
| B | Steel Top/316SST Bolting |
| C | 316SST Top/Steel Bolting |
| D | 316SST Top/316SST Bolting |
| | Schedule/Extension Length- 10th Character |
| - | Not Used |
| | Coating Options- 11th Character |
| 1 | TEFLON Coated Diaphragm |
| 2 | TEFLON Coated Lower Exposed (Special Order) |
| 3 | TEFLON Coated Exposed Surfaces (Special Order) |
| - | Not Used |

(Continued)

ORDERING INFORMATION

TYPE LK SERIES DIAPHRAGM SEALS

Order Number Description

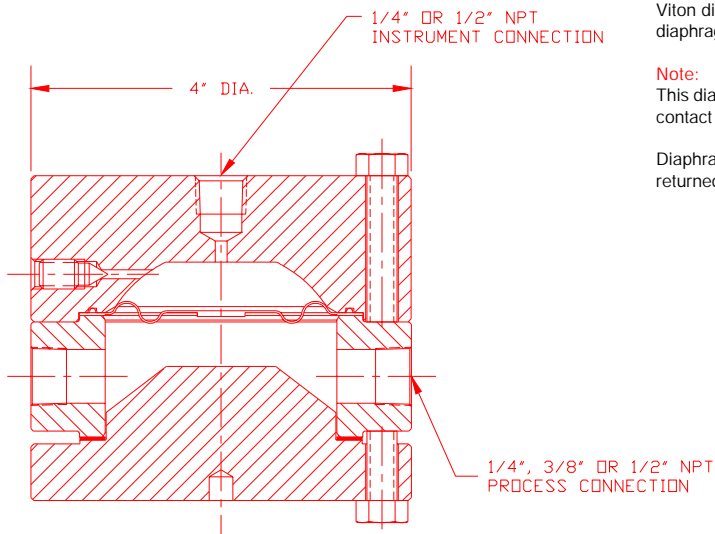
| | | | | | | | | | | | | | |
|-----|---|---|---|---|---|---|---|---|---|---|---|---|---|
| LK2 | 4 | 4 | N | 6 | C | A | - | 1 | - | - | - | - | - |
|-----|---|---|---|---|---|---|---|---|---|---|---|---|---|

- A Fill Fluids- 12th Character
 - B Silicone DC 510 (Special Order)
 - C Silicone DC 550 (Special Order)
 - D Customer Supplied Fluid (MUST Supply MSDS with shipment)
 - F Silicone DC 710 (Special Order)
 - F Fluorolube FS-5
 - G Glycol
 - H Halocarbon 6.2
 - I Instrument Oil
 - J Halocarbon 4.3 (Special Order)
 - L Low Temperature Silicone DC 200-10cs
 - M Mineral Oil
 - S High Temperature Silicone DC 704
 - V Vegetable Oil (Food Grade)
 - W De-Ionized Water (DI Water)
 - Not Used (Must use character "-" in 13th and 14th character positions)
-
- C Fill and Attach to Instrument- 13th Character (Customer Supplied)
 - D Controllers
 - G DP Instruments (Special Order)
 - L Gauge (> 30 PSI/2 bar)
 - L Gauge (< 30 PSI/2 bar)(Including combination gauges with Lower ranges)
 - M Dual Manifold Fitting (Special Order)
 - R Recorder
 - S Switch
 - T Transducer
 - W Recording Controller
 - Y Transmitter
 - Z Smart Transmitter
 - Not Used
-
- 1 Capillary Length- 14th Character
 - C Direct Connected
 - Capillary System (See Capillary System Section)
 - Not Used
-
- A Options- 15th Character
 - B With Material (Mill) Certification (Special Order)
 - C With MRO 17.5 Cert. (Seal cannot have Steel Top) (Special Order)
 - F With Certificate of Conformance
 - T With Instrument Tag (Special Order)
 - With Gauge Locking Device (Filled Assemblies Only)(Special Order)
 - Not Used

Sample Order Number
 LK Series with TEFLON gasket. 0.25-inch Instrument Connection and 0.25-inch NPT process connection. 316 bottom with Viton diaphragm. 316 top with alloy bolting. TEFLON coated diaphragm.

Note:
 This diaphragm seal contains "special order" components. Please contact AMETEK for price and delivery.

Diaphragm seals with "special order" components may not be returned for credit.



ORDERING INFORMATION

TYPE LM SERIES DIAPHRAGM SEALS

| Order Number | Description |
|--------------|---|
| LM1 | Base Model Number- 1st thru 3rd Characters Type LM with Standard Aramid Gasket |
| LM2 | Type LM with TEFLON Gasket |
| LM3 | Type LM with TEFLON Coated 316 Stainless Steel Gasket |
| 2 | Instrument Connection- 4th Character 0.5-inch NPT Female |
| 4 | 0.25-inch NPT Female |
| 1 | Process Connection- Size- 5th Character 1.0-inch |
| 2 | 0.5-inch (Special Order) |
| 3 | 0.75-inch |
| B | 1.5-inch |
| C | 2.0-inch |
| S | Process Connection- Type- 6th Character Socket Welded |
| 2 | Exposed Material- 7th Character Carpenter 20 (Special Order) |
| C | Hastelloy C276 |
| L | 316L (Low Carbon) Stainless Steel |
| S | Zinc-Coated Steel |
| B | Diaphragm Material- 8th Character Buna N |
| E | EPT |
| K | Kalrez (Special Order) |
| V | Viton |
| A | Top, Bolting and Flange Options- 9th Character Steel Top/Steel Bolting |
| B | Steel Top/316SST Bolting |
| C | 316SST Top/Steel Bolting |
| D | 316SST Top/316SST Bolting |
| A | Schedule/Extension Length- 10th Character Schedule 40 (Standard) |
| B | Schedule 10 |
| C | Schedule 80 |
| D | Schedule 160 |
| H | Schedule 5 |
| J | XXH (Special Order) |
| 1 | Coating Options- 11th Character TEFLON Coated Diaphragm |
| - | Not Used |

(Continued)

ORDERING INFORMATION

TYPE LN AND LP SERIES DIAPHRAGM SEALS

| Order Number | Description |
|--------------|--|
| | Base Model Number- 1st thru 3rd Characters |
| LN1 | Type LN with Standard Aramid Gasket |
| LN2 | Type LN with TEFLON Gasket (standard with Non-metal bottoms) |
| LN3 | Type LN with TEFLON Coated 316 Stainless Steel Gasket |
| | Type LP with Standard Aramid Gasket |
| LP1 | Type LP with Standard Aramid Gasket |
| LP2 | Type LP with TEFLON Gasket (standard with TEFLON or PVC Lower Housing) |
| LP3 | Type LP with TEFLON Coated 316 Stainless Steel Gasket |
| | Instrument Connection- 4th Character |
| 2 | 0.5-inch NPT Female |
| 4 | 0.25-inch NPT Female |
| | Process Connection- Size- 5th Character |
| 1 | 1.0-inch |
| 3 | 0.75-inch |
| C | 2.0-inch |
| D | 3.0-inch (Available on LP Series Only) |
| E | 4.0-inch (Available on LP Series Only) |
| | Process Connection- Type- 6th Character |
| 1 | 150# Raised Face Flange |
| 3 | 300# Raised Face Flange |
| C | 150# Flat Face Flange |
| E | 300# Flat Face Flange |
| | Exposed Material- 7th Character |
| L | 316L (Low Carbon) Stainless Steel |
| S | Painted Steel |
| | Diaphragm Material- 8th Character |
| B | Buna N |
| E | EPT |
| K | Kalrez (Special Order) |
| V | Viton |
| | Top, Bolting and Flange Options- 9th Character |
| A | Steel Top/Steel Bolting |
| B | Steel Top/316SST Bolting |
| C | 316SST Top/Steel Bolting |
| D | 316SST Top/316SST Bolting |
| | Schedule/Extension Length- 10th Character |
| A | Schedule 40 (Standard) |
| B | Schedule 10 |
| C | Schedule 80 |
| D | Schedule 160 |
| H | Schedule 5 |
| J | XXH (Special Order) |
| | Coating Options- 11th Character |
| 1 | TEFLON Coated Diaphragm |
| - | Not Used |

(Continued)

ORDERING INFORMATION

TYPE LN AND LP SERIES DIAPHRAGM SEALS

| Order Number | Description |
|--------------|---|
| LN1 | 2 1 1 S V A A - - - - |
| | A Fill Fluids- 12th Character B Silicone DC 510 (Special Order) C Silicone DC 550 (Special Order) D Customer Supplied Fluid (MUST Supply MSDS with shipment) E Silicone DC 710 (Special Order) F Fluorolube FS-5 G Glycol H Halocarbon 6.3 I Instrument Oil J Halocarbon 4.2 (Special Order) K Low Temperature Silicone DC 200-10 L Mineral Oil M High Temperature Silicone DC 704 N Vegetable Oil (Food Grade) O De-Ionized Water (DI Water) P Not Used (Must use character "-" in 13th and 14th character positions) Q R Fill and Attach to Instrument- 13th Character (Customer Supplied) S Controllers T DP Instruments (Special Order) U Gauge (> 30 PSI/435 bar) V Gauge (< 30 PSI/435 bar)(Including combination gauges with Lower ranges) W Dual Manifold Fitting (Special Order) X Recorder Y Switch Z Transducer AA Recording Controller AB Transmitter AC Smart Transmitter (Special Order) AD Not Used AE AF Capillary Length- 14th Character AG Direct Connected AH Capillary System (See Capillary System Section) AI Not Used AJ AK Options- 15th Character AL With Material (Mill) Certificate (Special Order) AM MRO 17.5 Certificate (Special Order) (Cannot use Steel Top) AN With Certificate of Conformance (Special Order) AO With 125-250 AARH Finish (Special Order) AP With Instrument Tag (Special Order) AQ With 60-125 AARH Finish (Special Order) AR With Full Penetration Weld (Special Order) AS With Full Flat Faced Flange (Special Order)(1-inch, 150# and above) AT With Seamless Pipe (Special Order) AU With Gauge Locking Device (Special Order)(Filled Assemblies Only) AV Not Used |

(Continued)

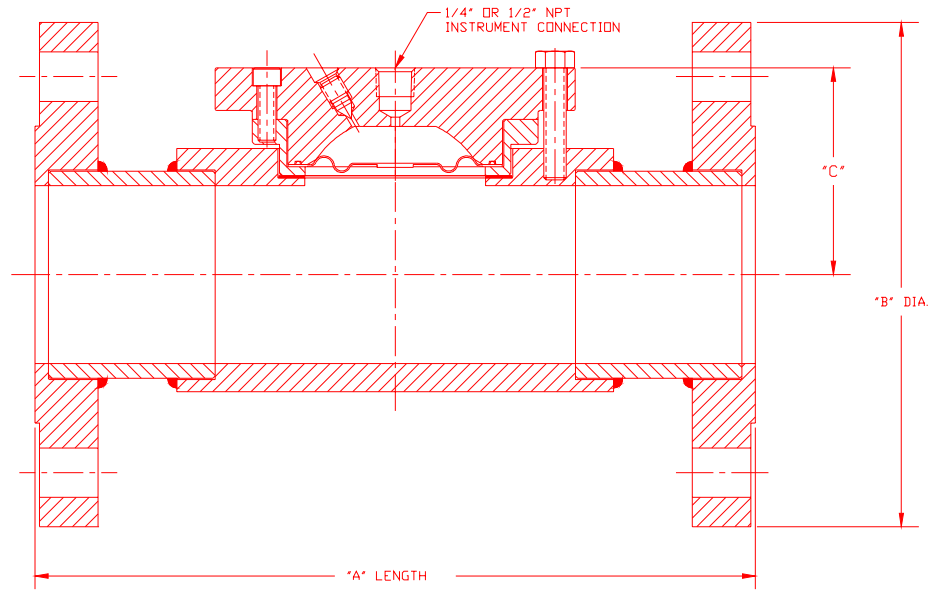
Sample Order Number
 LN Series with aramid gasket. 0.5-inch Instrument Connection with 1-inch 150# Process Connection, Steel bottom with Viton diaphragm. Steel top with alloy bolting. Schedule 40 pipe.

Note:
 This diaphragm seal contains "special order" components. Please contact AMETEK for price and delivery.

Diaphragm seals with "special order" components may not be returned for credit.

ORDERING INFORMATION

TYPE LN SERIES DIAPHRAGM SEALS

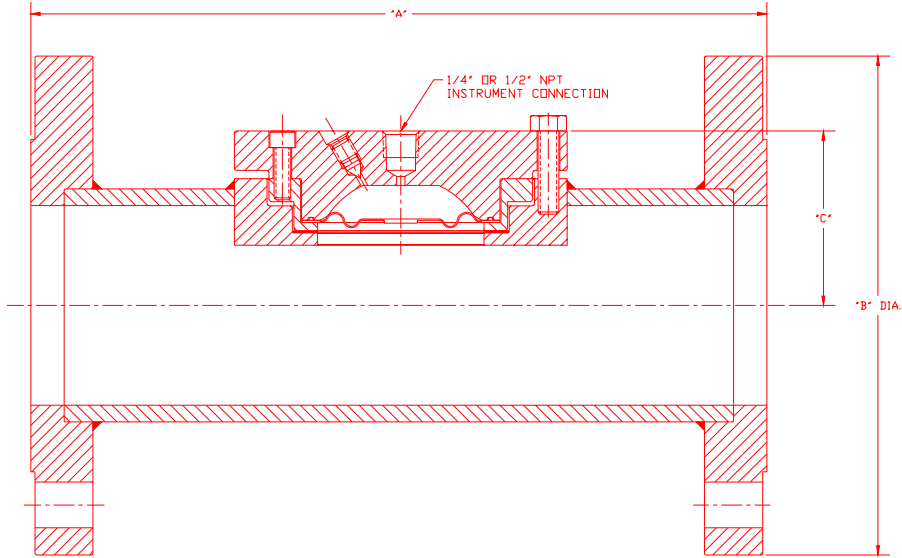


MODEL LN DIMENSIONS

| SIZE" | CLASS | A" | B" | C" |
|-------|-------|------|-------|--------|
| 0.75 | 150 | 7.0 | 3.875 | 2.0625 |
| 0.75 | 300 | 9.0 | 3.875 | 2.0625 |
| 1.0 | 150 | 7.0 | 4.25 | 2.1875 |
| 1.0 | 300 | 8.0 | 4.875 | 2.1875 |
| 1.5 | 150 | 8.0 | 5.0 | 2.5 |
| 1.5 | 300 | 9.0 | 6.125 | 2.5 |
| 2.0 | 150 | 9.75 | 6.0 | 2.6875 |
| 2.0 | 300 | 10.0 | 6.5 | 2.6875 |
| 2.5 | 150 | 10.0 | 7.0 | 2.875 |
| 2.5 | 300 | 11.0 | 7.5 | 2.875 |
| 3.0 | 150 | 10.0 | 7.0 | 2.875 |
| 3.0 | 300 | 11.0 | 7.5 | 2.875 |

ORDERING INFORMATION

TYPE LP SERIES DIAPHRAGM SEALS



MODEL LP DIMENSIONS

| SIZE" | CLASS | A" | B" | C" |
|-------|-------|------|------|--------|
| 3.0 | 150 | 11.0 | 7.5 | 2.3125 |
| 3.0 | 300 | 12.0 | 8.25 | 2.75 |
| 4.0 | 150 | 13.0 | 9.0 | 3.625 |
| 4.0 | 300 | 14.0 | 10.0 | 3.625 |
| 6.0 | 150 | 16.0 | 11.0 | 4.5625 |
| 6.0 | 300 | 17.0 | 12.5 | 4.5625 |
| 8.0 | 150 | 18.0 | 13.5 | 5.3125 |
| 8.0 | 300 | 19.0 | 15.0 | 5.3125 |

Capillary Systems for Diaphragm Seals

AMETEK offers a number of methods for mounting your diaphragm seal to various forms of instrumentation including:

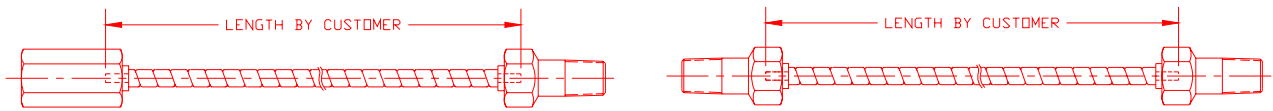
- Gauges
- Controllers
- Transducers
- Transmitters
- Smart Transmitters
- Recorders
- Recording Controllers
- Indicators

Direct Mounting Application

AMETEK supplies low volume connecting nipples for direct mount applications. These nipples are available with 0.25- and 0.5-inch NPT end connections (other types available) and in 2.0- or 4.0-inch lengths (50.8 - 101.6mm). Nipples are manufactured of 300 Stainless Steel.

Remote Mounting Application

AMETEK can supply Capillary Systems for remotely mounting your diaphragm seal. Manufactured of 300 Series Stainless Steel, these systems feature an all TIG welded construction. Maximum pressure ratings up to 10,000 PSIG (690 bar) are available (for higher ratings contact AMETEK).



Armored Tubing Assembly
 (Minimum Bend Radius = 1-1/4-inch inside)

ORDERING INFORMATION

CAPILLARY SYSTEMS FOR M&G DIAPHRAGM SEALS

| Order Number | Description |
|--------------------------|--|
| C | Instrument Connection- 1st Character Capillary System |
| 304 316 P04 P16 | Tubing Material and Construction- 2nd thru 4th Character 304 Stainless Steel, Armored 316 Stainless Steel, Armored 304 Stainless Steel, Armored, PVC Coated 316 Stainless Steel, Armored, PVC Coated |
| M F | Instrument Connection Type- Type- 5th Character Male Female |
| 4 2 | Instrument Connection- Size- 6th Character 0.25-inch, 304 Stainless Steel 0.5-inch, 304 Stainless Steel |
| M | Diaphragm Seal Connection- Type- 7th Character Male |
| 4 2 | Diaphragm Seal Connection- Size 8th Character 0.25-inch, 304 Stainless Steel 0.5-inch, 304 Stainless Steel |
| 005 010 015 00Z | Capillary Length- 9th thru 11th Characters 5 ft. Length 10 ft. Length 15 ft. Length User Specified (Special Order) |
| C 304 F 4 M 2 015 | |

Sample Order Number
 15 Feet of Armored 304 Stainless Steel Capillary System with 0.25-inch NPT Female Instrument Connection and 0.5-inch NPT Male Process Connection

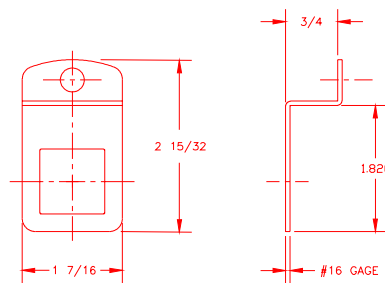
Capillary System Pricing

You must specify the complete Capillary System Order Number as a separate line item with your Diaphragm Seal Order Number. If your Diaphragm Seal Order Number has the character "C" in the 14th character space, you must specify the capillary system required using the price sheet. Your purchase order should contain a line item for the Diaphragm Seal and a line item for your Capillary System.

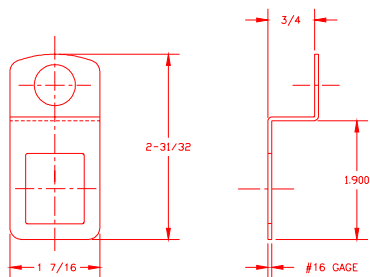
Diaphragm Seal Accessories

| Part Number | Description |
|----------------|--|
| N1SS/303* | Nipple, 0.25-inch NPT at both ends |
| S105 | Vacuum Fill Fittings |
| 10-90003 | O-Ring, for use with S105 Vacuum Fill Fittings |
| S238/303 | Fill Screw, Long Type |
| DS170/203 | Fill Screw, Short Type |
| DS495/Steel* | Union Connection for direct mounting on diaphragm seal tops. 0.25-inch male, 0.5-inch female |
| DS504-1/303* | Dual Manifold for mounting two instruments or gauges, 0.5-inch NPT male x 0.25 x 0.25-inch female |
| DS491/Steel* | Union Connection for remote mounting of capillary tubing to NPT male, 0.125-inch capillary x 0.25-inch female |
| DS482/Steel* | Extension, for extending height of gauge or instruments from diaphragm seal top. 0.5-inch NPT male x 0.5-inch female |
| DS498/Steel* | Union Connection Assembly for mounting directly to diaphragm seal top. 0.25-inch NPT male x 0.125-inch capillary |
| DS494/Steel* | Union Connection Assembly for mounting directly to diaphragm seal top. 0.25-inch NPT male x 0.25-inch male |
| DS398-1/Steel* | Fitting, 90° Adapter, 4.0-inch long, for angle mounting of gauges or other instruments to diaphragm seal tops. 0.5-inch male x 0.5-inch female |
| DS398/Steel* | Fitting, 90° Adapter, 3.0-inch long, for angle mounting of gauges or other instruments to diaphragm seal tops. 0.5-inch male x 0.5-inch female |
| DS349/Steel* | Fitting, 90° Adapter, 2.0-inch long, for angle mounting of gauges or other instruments to diaphragm seal tops. 0.5-inch male x 0.5-inch female |
| DS539-2/Steel* | Dual Manifold for mounting two instruments or gauges. 0.25-inch NPT female x 0.25-inch male |
| N2S/Steel | Reducing Nipple, 0.25-inch NPT male to 0.125-inch NPT male |
| S-1015 | Gauge Locking Device (Use with Type SB, SG, RB, RG) |
| S-1015-1 | Gauge Locking Device (Use with Type SC, SD, RC, RD) (For 1-inch 150#/500#) |
| S-1015-2 | Gauge Locking Device (Use with Type LB, LG) |

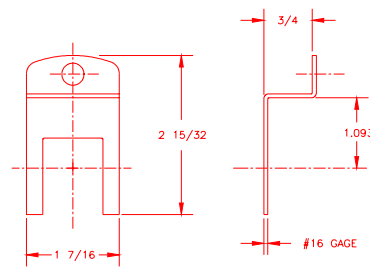
Note: * Other Sizes and Material Available as "Special Order".



S-1015
Gauge Locking Device



S-1015-1
Gauge Locking Device



S-1015-2
Gauge Locking Device

Fill Fluid Properties

| FLUID | TEMPERATURE LIMITS | | SPECIFIC GRAVITY @ 25°C | VISCOSITY CENTISTOKES |
|----------------------------|--------------------|---------------|----------------------------|--------------------------|
| | °F | °C | | |
| DC Silicone 510 | -60° to 400°F | -50° to 204°C | 0.99 | 350.0 @ 25°C |
| DC Silicone 550 | -40° to 450°F | -40° to 232°C | 1.07 | 125.0 @ 25°C |
| DC Silicone 710 | 41° to 653°F | 5° to 345°C | 1.11 | 500.0 @ 25°C |
| Fluorolube FS-5 | -40° to 302°F | -40° to 150°C | 1.88 | 7.8 @ 25°C |
| Glycol | -60° to 235°F | -50° to 112°C | 1.08 | 7.0 @ 25°C |
| Halocarbon Oil 6.3 | -40° to 455°F | -40° to 235°C | 1.88 | 10.6 @ 25°C |
| Instrument Oil | -40° to 315°F | -40° to 157°C | 0.92 | 95.0 @ 25°C |
| DC Silicone 200-10cs | -49° to 401°F | -45° to 205°C | 0.93 | 10.0 @ 25°C |
| Mineral Oil | 30° to 300°F | -1° to 150°C | 0.87 | 40.2 @ 100°F |
| DC Silicone 704 | 32° to 599°F | 0° to 315°C | 1.07 | 39.0 @ 25°C |
| Vegetable Oil (Food Grade) | 40° to 360°F | 5° to 182°C | 0.92 | 75.0 @ 70°F |

Note: Always obtain a complete specification from the Fill Fluid manufacturer before specifying a fill fluid.

Special Care

Fill fluids should be carefully selected by considering their physical properties at the extremes of the ambient and process temperature which they will be subjected. Fill fluids must also be chemical compatible with the process fluid to avoid potentially hazardous reaction in the event of a diaphragm failure. Hydrocarbon-based liquids are NOT typically used with strong oxidizers such as Oxygen, Chlorine, Hydrogen Peroxide or Nitric Acid. Instead, these applications are generally specified with an inert liquid such as Fluorolube or Halocarbon.

Silicone 510

This low temperature product resists salts, dilutes, alkalis and acids.

Silicone 550

This high temperature product resists radiation and oxidation and has excellent shear stability and heat transfer characteristics.

Silicone 704

This product contains a phenyl group that may result in an explosion when exposed to high concentrations of nitric, sulfuric and nitric and sulfuric acid mixtures.

Silicone 710

This product is commonly used for high temperature application. Silicone 710 at 20°F has a viscosity of nearly 50,000 centistokes. Use of this product can result in response problems on low pressure applications and on high pressure applications with long capillaries.

Fluorolube & Halocarbon Oils

These products are chlorofluorocarbon oils and may be used when nonflammability and inertness are required. These oils are frequently used when strong oxidizing agents (Oxygen, Chlorine, Nitric acid, Hydrogen Peroxide) preclude the use of more commonly used glyceride or silicone fill fluids. These oils may react with diamine and aluminum compounds. Aluminum housings with threaded instrument connections should not be used with these products.

PRODUCT QUOTATION TEMPLATE

PROCESS APPLICATION SPECIFICATIONS

Specify Application Type (Check ONE)

- Corrosive
- Economy
- Fugitive Emission
- General Purpose
- Jacketed Pipeline
- Low Pressure
- Low Pressure Transmitter
- Sanitary
- Tank
- Other (Please Specify) _____

Specify Mounting Type (Check ONE)

- Flange Attached
- Thread Attached
- In-Line Flow Thru (Thread Attached Connection)
- In-Line Flow Thru (Welded by User)
- In-Line Flow Thru (Welded by User, Pipe Supplied, Schedule Dependent)
- In-Line Flow Thru (For Pipe Sizes 0.75 to 3.0-inch Diameters)
- In-Line Flow Thru (For Pipe Sizes 3.0 to 8.0-inch Diameters)
- Sanitary (Please Specify) _____
- Other (Please Specify) _____

Specify Operating Temperature (Designate °F or °C)

(Circle °F or °C)

Specify Operating Pressure (Designate PSI, Bar)

(Circle PSI or Bar)

Specify Process Application (Check ONE)

- | | |
|---------------------------------------|-------------------|
| Low Pressure | Saddle Mount |
| Vacuum | Thread Attached |
| General Purpose | Butt Welded |
| Removable Bottom (without fluid loss) | Small Pipe |
| Tantalum Clad Bottom | Large Pipe |
| High Pressure | Jacketed Pipeline |
| EPC Clean Air Act | Severe Service |

Requires Flushing Connection (Check ONE)

- Yes
- No

Specify Special Considerations

PRODUCT QUOTATION TEMPLATE

SEAL OPTIONS AND MODEL DESIGNATION

| | |
|----|-------------------------------------|
| 1 | <input type="checkbox"/> |
| 2 | <input type="checkbox"/> |
| 3 | <input type="checkbox"/> |
| 4 | <input type="checkbox"/> |
| 5 | <input type="checkbox"/> |
| 6 | <input type="checkbox"/> |
| 7 | <input type="checkbox"/> |
| 8 | <input type="checkbox"/> |
| 9 | <input type="checkbox"/> |
| 10 | <input type="checkbox"/> |
| 11 | <input type="checkbox"/> |
| 12 | <input type="checkbox"/> |
| 13 | <input type="checkbox"/> |
| 14 | <input checked="" type="checkbox"/> |
| 15 | <input type="checkbox"/> |
| 16 | <input type="checkbox"/> |
| 17 | <input type="checkbox"/> |
| 18 | <input type="checkbox"/> |

Base Model and Gasket Type

Instrument Connection

Process Connection Size

Process Connection Type

Exposed Material

Diaphragm Material

Top, Bolting & Flange Ring Material

Schedule/Extension Length

Coating Option

Fill Fluids

Fill and Attach to Instrument

Capillary System (Complete bottom if "C")

Options

NOTES

Any Diaphragm Seal Models that use an option that is denoted in the specification sheet as (Special Order) may not be returned for credit.

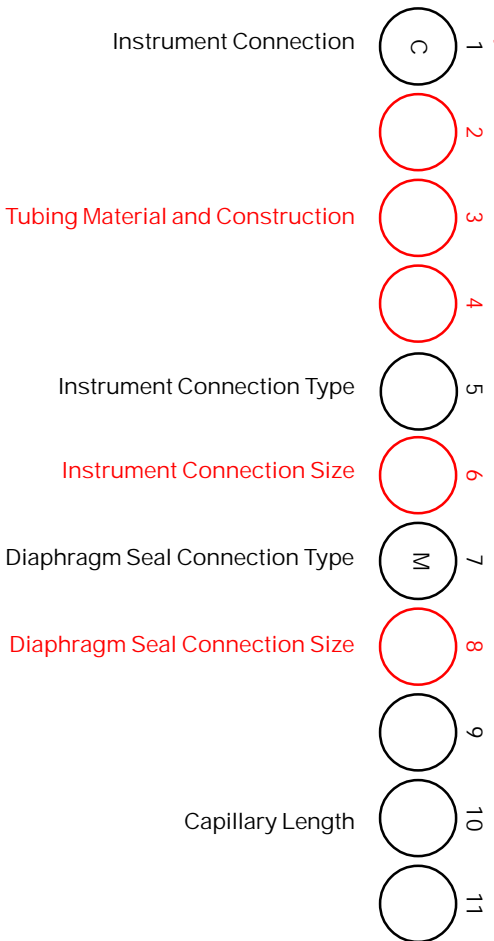
CAUTION

All diaphragm seal assemblies and components must be selected with full consideration of process fluids, pressure and temperature compatibility to prevent misapplication. An improper selection may result in a system failure and possible property damage or injury to personnel.

Capillary System Pricing

You must specify the complete Capillary System Order Number as a separate line item with your Diaphragm Seal Order Number. If your Diaphragm Seal Order Number has the character "C" in the 14th character space, you must specify the capillary system required using this price sheet. Your purchase order should contain a line item for the Diaphragm Seal and a line item for your Capillary System.

CAPILLARY SYSTEM MODEL DESIGNATION



Instrument Connection

Tubing Material and Construction

Instrument Connection Type

Instrument Connection Size

Diaphragm Seal Connection Type

Diaphragm Seal Connection Size

Capillary Length



AMETEK is a leading global manufacturer of electrical and electromechanical products for niche markets. Listed on the New York Stock Exchange (AME) since 1930, AMETEK's annual sales are approaching \$1 billion. Operations are in North America, Europe and Asia, with about one-third of sales to markets outside the United States.

AMETEK Test & Calibration
Instruments Division
8600 Somerset Drive
Largo, Florida 33773 USA
Tel (727) 536-7831
Tel (800) 527-9999
Fax (727) 539-6882

AMETEK U.S. Gauge Division
900 Clymer Avenue
Sellersville, PA 18960
USA
Tel +1-215-257-6531
Fax +1-215-257-3058

AMETEK Precision
Instruments Europe GmbH
Rudolf-Diesel-Strasse 16
D-40670, Meerbusch
Germany
Tel +49-2159-9136-0
Fax +49-2159-9136-39

AMETEK Singapore Pvt. Ltd.
10 Ang Mo Kio Street 65
#05-12 TECHPOINT
Singapore 569059
Tel +65-484-2388
Fax +65-481-6588
E-Mail aspl@ametek.com.sg

Internet Addresses: www.ametek.com

AMETEK is a registered trademarks of AMETEK, Inc.
MANSFIELD & GREEN is a trademark of AMETEK, Inc.

Pub Code SS-DS-5400-0600
Issued 06/00

Copyright 2000, by AMETEK, Inc.

Printed in U.S.A.

Information within this document is subject to change without notice.

**ISO 9001
Manufacturer**