



## Temperature Products

# Model ADJ 3" and 5" Adjustable Angle Industrial Bimetallic Thermometers

# New!

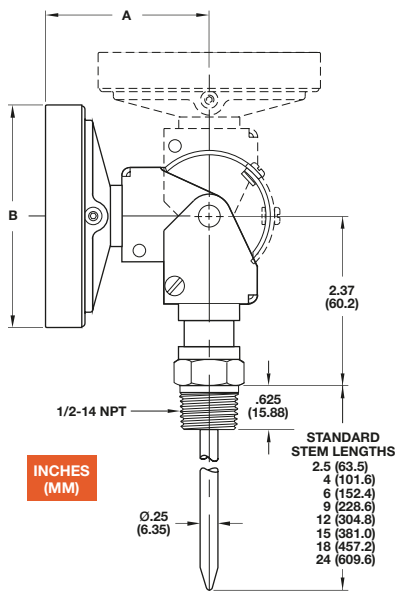
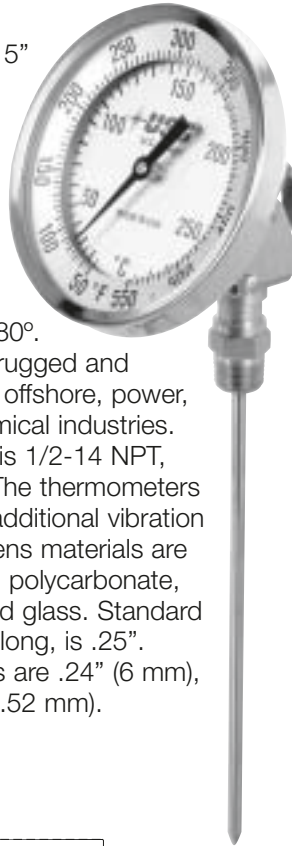
**MADE IN USA**

### DESCRIPTION

U.S. Gauge offers 3" and 5" heavy duty, industrial bimetallic thermometers with a versatile case and stem that can be adjusted to almost any angle for easy viewing. The head can be rotated 360° and the stem positioning moves over 180°.

These thermometers are rugged and preferred by the process, offshore, power, pharmaceutical, and chemical industries.

The union connection is 1/2-14 NPT, but others are available. The thermometers may be silicone filled for additional vibration dampening. A variety of lens materials are available including acrylic, polycarbonate, shatterproof and tempered glass. Standard stem diameter, up to 42" long, is .25". Other available stem sizes are .24" (6 mm), .32" (8 mm), and .375" (9.52 mm).



### SPECIFICATIONS

**STEM DIAMETER:** .25" standard up to 42" stem; .375" standard over 42" stem

**CONNECTION:** 1/2-14 NPT

**EXTERNAL RESET:** Easy to calibrate by inserting 1/16" hex wrench into reset opening

**CONSTRUCTION:** 304 stainless steel external parts and welded construction; corrosion resistant to most chemicals

**HERMETIC SEAL:** Per ASME B40.3, dustproof and leakproof

**HARNES:** All stainless steel brackets with screws that loosen to allow 360° rotation of head and 180° adjustment of stem position

**BELLOWS:** Heavy-duty flexible stainless steel, hermetically sealed at case and connection; protects mechanism that transfers temperature

**DIAL:** True anti-parallax dial, easy to read from any angle, minimizes reading errors; anodized aluminum with large black numbers and graduations

**LENS:** Glass

**BIMETALLIC COIL:** Helix coil is silicone coated on ranges below 500°F for vibration dampening and to maximize heat transfer and response time

**ACCURACY:** ±1% full span per ASME B40.3 Grade A; adjustment of the angle between case and stem may affect accuracy up to 0.5% of span (ASME B40.3)

**OVER TEMPERATURE LIMITS:** Up to 250°F, 100%; 250° to 550°F, 50%; 550° to 1000°F, continuous use up to 800°F, intermittent use over 800°F



MODEL	UNIT	A	B
ADJ-3	inches	2.43	3.19
	mm	61.72	80.95
ADJ-5	inches	2.66	5.04
	mm	67.56	128.02

© 2002, by AMETEK, Inc. All rights reserved. 15M1102A (160126) Specifications are subject to change without notice. Visit our Web sites for the most up-to-date information.

For Gauges/Thermometers:  
**U.S. GAUGE**  
 820 Pennsylvania Blvd.  
 Feasterville, PA 19053 U.S.A.  
 Tel: (215) 355-6900  
 Fax: (215) 354-1802  
 www.ametekusg.com

Customer Service Tel: (863) 534-1504  
 Customer Service Fax: (863) 533-7465

For Electronic Products:  
**PMT PRODUCTS**  
 820 Pennsylvania Blvd.  
 Feasterville, PA 19053 U.S.A.  
 Tel: (215) 355-6900  
 Fax: (215) 354-1800  
 www.ametekusg.com

For Diaphragm Seals:  
**M&G PRODUCTS**  
 8600 Somerset Drive  
 Largo, FL 33773 U.S.A.  
 Tel: (727) 536-7831  
 Fax: (727) 539-6882  
 www.ametek.com/tci

ISO 9001 REGISTERED MANUFACTURER



Temperature Products

# Model ADJ 3" and 5" Adjustable Angle Industrial Bimetallic Thermometers

## SPEC NUMBER SELECTION CHART

Model ADJ-3		3" Dial Size				
Connection	Temperature Range*	2-1/2" Stem Length	4" Stem Length	6" Stem Length	9" Stem Length	12" Stem Length
		Spec No.	Spec No.	Spec No.	Spec No.	Spec No.
1/2-14 NPT	0 to 200 FC	415002	415008	415014	415020	415026
	0 to 250 FC	415003	415009	415015	415021	415027
	50 to 300 FC	415004	415010	415016	415022	415028
	50 to 400 FC	415005	415011	415017	415023	415029
	50 to 550 FC	415006	415012	415018	415024	415030
	200 to 1000 FC	415007	415013	415019	415025	415031

Model ADJ-5		5" Dial Size				
Connection	Temperature Range*	2-1/2" Stem Length	4" Stem Length	6" Stem Length	9" Stem Length	12" Stem Length
		Spec No.	Spec No.	Spec No.	Spec No.	Spec No.
1/2-14 NPT	25 to 125 FC	-	415038	415045	-	-
	0 to 200 FC	415032	415039	415046	415052	415058
	0 to 250 FC	415033	415040	415047	415053	415059
	50 to 300 FC	415034	415041	415048	415054	415060
	50 to 400 FC	415035	415042	415049	415055	415061
	50 to 550 FC	415036	415043	415050	415056	415062
	200 to 1000 FC	415037	415044	415051	415057	415063

\* All dials are dual scale, Fahrenheit outer scale, Celsius inner scale

© 2002, by AMETEK, Inc. All rights reserved. 15M1102A (160126) Specifications are subject to change without notice. Visit our Web sites for the most up-to-date information.



For Gauges/Thermometers:  
**U.S. GAUGE**  
 820 Pennsylvania Blvd.  
 Feasterville, PA 19053 U.S.A.  
 Tel: (215) 355-6900  
 Fax: (215) 354-1802  
 www.ametekusg.com

Customer Service Tel: (863) 534-1504  
 Customer Service Fax: (863) 533-7465

For Electronic Products:  
**PMT PRODUCTS**  
 820 Pennsylvania Blvd.  
 Feasterville, PA 19053 U.S.A.  
 Tel: (215) 355-6900  
 Fax: (215) 354-1800  
 www.ametekusg.com

For Diaphragm Seals:  
**M&G PRODUCTS**  
 8600 Somerset Drive  
 Largo, FL 33773 U.S.A.  
 Tel: (727) 536-7831  
 Fax: (727) 539-6882  
 www.ametek.com/tci

