



Temperature Products

Model BAC 3" and 5" Back Connected Industrial Bimetallic Thermometers

New!

MADE IN USA

DESCRIPTION

U.S. Gauge offers 3" and 5" heavy duty, industrial bimetallic thermometers with a 90° back angle, rear threaded union connection design. These thermometers, with 316 stainless steel wetted parts, are rugged and commonly used in industrial, pulp and paper, food and beverage processing, HVAC, and OEM applications.

The standard connection is 1/2-14 NPT, but others are available. The thermometers may be silicone filled for additional vibration dampening. A variety of lens materials are available including acrylic, polycarbonate, shatterproof and tempered glass. Standard stem diameter, up to 42" long, is .25". Other available stem sizes are .24" (6 mm), .32" (8 mm), and .375" (9.52 mm). Some temperature ranges are NSF® certified.



SPECIFICATIONS

STEM DIAMETER: .25" standard up to 42" stem; .375" standard over 42" stem

CONNECTION: 1/2-14 NPT

EXTERNAL RESET: Easy to calibrate by inserting 1/16" hex wrench into reset opening

CONSTRUCTION: 304 stainless steel external parts, welded construction, corrosion resistant to most chemicals

HERMETIC SEAL: Per ASME B40.3, dustproof and leakproof

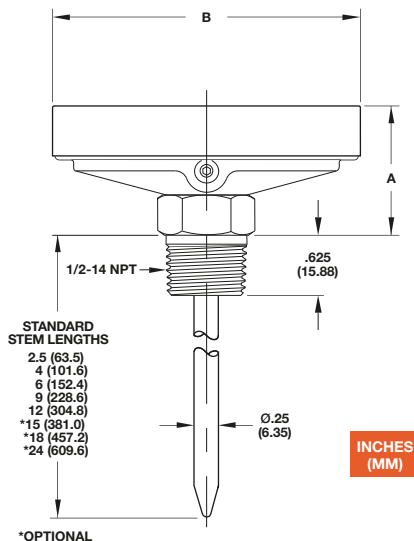
DIAL: True anti-parallax dial, easy to read from any angle, minimizes reading errors; anodized aluminum with large black numbers and graduations

LENS: Glass

BIMETALLIC COIL: Helix coil is silicone coated on ranges below 500°F for vibration dampening and to maximize heat transfer and response time

ACCURACY: ±1% full span per ASME B40.3 Grade A, when using maximum or minimum temperature indicator, accurate to within 1-1/2% full span

OVER TEMPERATURE LIMITS: Up to 250°F, 100%; 250° to 550°F, 50%; 550° to 1000°F, continuous use up to 800°F, intermittent use over 800°F



MODEL	UNIT	A	B
BAC-3	inches	1.375	3.19
	mm	34.93	80.95
BAC-5	inches	1.72	5.04
	mm	43.63	128.02

© 2002, by AMETEK, Inc. All rights reserved. 15M1102A (160126) Specifications are subject to change without notice. Visit our Web sites for the most up-to-date information.

For Gauges/Thermometers:
U.S. GAUGE
 820 Pennsylvania Blvd.
 Feasterville, PA 19053 U.S.A.
 Tel: (215) 355-6900
 Fax: (215) 354-1802
 www.ametekusg.com

Customer Service Tel: (863) 534-1504
 Customer Service Fax: (863) 533-7465

For Electronic Products:
PMT PRODUCTS
 820 Pennsylvania Blvd.
 Feasterville, PA 19053 U.S.A.
 Tel: (215) 355-6900
 Fax: (215) 354-1800
 www.ametekusg.com

For Diaphragm Seals:
M&G PRODUCTS
 8600 Somerset Drive
 Largo, FL 33773 U.S.A.
 Tel: (727) 536-7831
 Fax: (727) 539-6882
 www.ametek.com/tci

ISO 9001 REGISTERED MANUFACTURER



Temperature Products

Model BAC 3" and 5" Back Connected Industrial Bimetallic Thermometers

SPEC NUMBER SELECTION CHART

Model BAC-3		3" Dial Size				
Connection	Temperature Range*	2-1/2" Stem Length	4" Stem Length	6" Stem Length	9" Stem Length	12" Stem Length
		Spec No.	Spec No.	Spec No.	Spec No.	Spec No.
1/2-14 NPT	25 to 125 FC	415086	415093	415100	415107	415114
	0 to 200 FC	415087	415094	415101	415108	415115
	0 to 250 FC	415088	415095	415102	415109	415116
	50 to 300 FC	415089	415096	415103	415110	415117
	50 to 400 FC	415090	415097	415104	415111	415118
	50 to 550 FC	415091	415098	415105	415112	415119
	200 to 1000 FC	415092	415099	415106	415113	415120

Model BAC-5		5" Dial Size				
Connection	Temperature Range*	2-1/2" Stem Length	4" Stem Length	6" Stem Length	9" Stem Length	12" Stem Length
		Spec No.	Spec No.	Spec No.	Spec No.	Spec No.
1/2-14 NPT	0 to 200 FC	415121	415127	415133	415139	415145
	0 to 250 FC	415122	415128	415134	415140	415146
	50 to 300 FC	415123	415129	415135	415141	415147
	50 to 400 FC	415124	415130	415136	415142	415148
	50 to 550 FC	415125	415131	415137	415143	415149
	200 to 1000 FC	415126	415132	415138	415144	415150

* All dials are dual scale, Fahrenheit outer scale, Celsius inner scale

© 2002, by AMETEK, Inc. All rights reserved. 15M1102A (160126) Specifications are subject to change without notice. Visit our Web sites for the most up-to-date information.



For Gauges/Thermometers:
U.S. GAUGE
 820 Pennsylvania Blvd.
 Feasterville, PA 19053 U.S.A.
 Tel: (215) 355-6900
 Fax: (215) 354-1802
 www.ametekusg.com

Customer Service Tel: (863) 534-1504
 Customer Service Fax: (863) 533-7465

For Electronic Products:
PMT PRODUCTS
 820 Pennsylvania Blvd.
 Feasterville, PA 19053 U.S.A.
 Tel: (215) 355-6900
 Fax: (215) 354-1800
 www.ametekusg.com

For Diaphragm Seals:
M&G PRODUCTS
 8600 Somerset Drive
 Largo, FL 33773 U.S.A.
 Tel: (727) 536-7831
 Fax: (727) 539-6882
 www.ametek.com/tci

