



Temperature Products

Model BOTC 3" and 5" Bottom Connected Industrial Bimetallic Thermometers

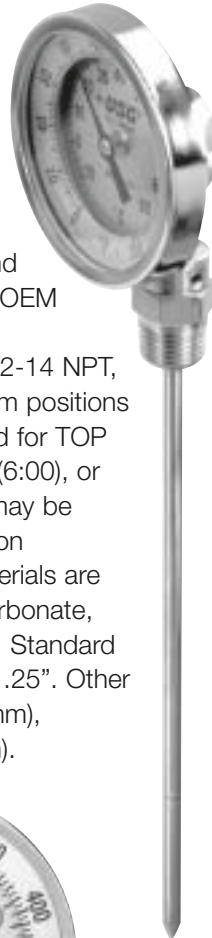
New!

MADE IN USA

DESCRIPTION

U.S. Gauge offers 3" and 5" heavy duty, industrial bimetallic thermometers with a threaded union connection and straight form design. These thermometers, with 316 stainless steel wetted parts, are rugged and commonly used in industrial and OEM applications.

The standard connection is 1/2-14 NPT, but others are available. Four stem positions are available and can be specified for TOP (12:00), RIGHT (3:00), BOTTOM (6:00), or LEFT (9:00). The thermometers may be silicone filled for additional vibration dampening. A variety of lens materials are available including acrylic, polycarbonate, shatterproof and tempered glass. Standard stem diameter, up to 42" long, is .25". Other available stem sizes are .24" (6 mm), .32" (8 mm), and .375" (9.52 mm).



SPECIFICATIONS

STEM DIAMETER: .25" standard up to 42" stem; .375" standard over 42" stem

CONNECTION: 1/2-14 NPT

EXTERNAL RESET: Easy to calibrate by inserting hex wrench into reset opening

CONSTRUCTION: 304 stainless steel external parts, welded construction; corrosion resistant to most chemicals

HERMETIC SEAL: Per ASME B40.3, dustproof and leakproof

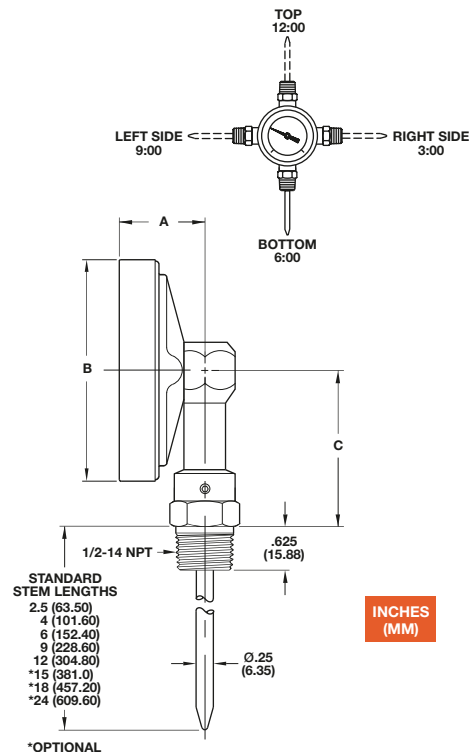
DIAL: True anti-parallax dial, easy to read from any angle, minimizes reading errors; anodized aluminum with large black numbers and graduations

LENS: Glass

BIMETALLIC COIL: Helix coil is silicone coated on ranges below 500°F for vibration dampening and to maximize heat transfer and response time

ACCURACY: ±1% full span per ASME B40.3 Grade A

OVER TEMPERATURE LIMITS: Up to 250°F, 100%; 250° to 550°F, 50%; 550° to 1000°F, continuous use up to 800°F, intermittent use over 800°F



MODEL	UNIT	A	B	C
BOTC-3	inches	1.19	3.19	2.30
	mm	30.15	80.95	58.42
BOTC-5	inches	1.625	5.04	3.0
	mm	41.28	128.02	76.20

© 2002, by AMETEK, Inc. All rights reserved. 15M1102A (160126) Specifications are subject to change without notice. Visit our Web sites for the most up-to-date information.

For Gauges/Thermometers:
U.S. GAUGE
 820 Pennsylvania Blvd.
 Feasterville, PA 19053 U.S.A.
 Tel: (215) 355-6900
 Fax: (215) 354-1802
 www.ametekusg.com

Customer Service Tel: (863) 534-1504
 Customer Service Fax: (863) 533-7465

For Electronic Products:
PMT PRODUCTS
 820 Pennsylvania Blvd.
 Feasterville, PA 19053 U.S.A.
 Tel: (215) 355-6900
 Fax: (215) 354-1800
 www.ametekusg.com

For Diaphragm Seals:
M&G PRODUCTS
 8600 Somerset Drive
 Largo, FL 33773 U.S.A.
 Tel: (727) 536-7831
 Fax: (727) 539-6882
 www.ametek.com/tci

ISO 9001 REGISTERED MANUFACTURER



Temperature Products

Model BOTC 3" and 5" Bottom Connected Industrial Bimetallic Thermometers

SPEC NUMBER SELECTION CHART

Model BOTC-3		3" Dial Size				
Connection	Temperature Range*	2-1/2" Stem Length	4" Stem Length	6" Stem Length	9" Stem Length	12" Stem Length
		Spec No.	Spec No.	Spec No.	Spec No.	Spec No.
1/2-14 NPT	0 to 200 FC	415064	415067	-	-	-
	0 to 250 FC	415065	415068	415070	415072	415074
	50 to 550 FC	415066	415069	415071	415073	415075

Model BOTC-5		5" Dial Size				
Connection	Temperature Range*	2-1/2" Stem Length	4" Stem Length	6" Stem Length	9" Stem Length	12" Stem Length
		Spec No.	Spec No.	Spec No.	Spec No.	Spec No.
1/2-14 NPT	0 to 250 FC	415076	415078	415080	415082	415084
	50 to 550 FC	415077	415079	415081	415083	415085

* All dials are dual scale, Fahrenheit outer scale, Celsius inner scale

© 2002, by AMETEK, Inc. All rights reserved. 15M1102A (160126) Specifications are subject to change without notice. Visit our Web sites for the most up-to-date information.



For Gauges/Thermometers:
U.S. GAUGE
 820 Pennsylvania Blvd.
 Feasterville, PA 19053 U.S.A.
 Tel: (215) 355-6900
 Fax: (215) 354-1802
 www.ametekusg.com

Customer Service Tel: (863) 534-1504
 Customer Service Fax: (863) 533-7465

For Electronic Products:
PMT PRODUCTS
 820 Pennsylvania Blvd.
 Feasterville, PA 19053 U.S.A.
 Tel: (215) 355-6900
 Fax: (215) 354-1800
 www.ametekusg.com

For Diaphragm Seals:
M&G PRODUCTS
 8600 Somerset Drive
 Largo, FL 33773 U.S.A.
 Tel: (727) 536-7831
 Fax: (727) 539-6882
 www.ametek.com/tci

