

P1H Pressure Switch

Dia-Seal Piston
P1H Series

- ❖ Superior Resolution
- ❖ High Reliability
- ❖ Oil & Dust Tight
- ❖ Extremely Versatile
- ❖ NEMA 4 & 13



Barksdale's P1H Series Pressure Switches offer extremely long life and the accuracy you need for your industrial applications. Designed with Dia-Seal Piston technology, the P1H Series Pressure Switches ensure millions of maintenance free, leakage free cycles. A rugged NEMA 4 enclosure makes this switch an ideal choice for both indoor and outdoor installations. Setpoints are easily adjusted via an external adjustment screw. Designed to control pressures up to 1,600 psi, P1H Series Pressure Switches are an outstanding choice for your demanding industrial applications.

P1H Pressure Switch

With Barksdale - Pressure's No Problem

As a recognized leader in the manufacture of pressure product solutions, Barksdale pressure switches meet the demanding requirements of our customers. From vacuum to 18,000 psi, Barksdale has pressure switches for a variety of applications – from transformers to natural gas compressors to beverage dispensers – and more!

Barksdale's P1H Series Pressure Switch provides an ideal solution for your industrial location switching needs. Housed in a compact, die-cast aluminum enclosure, **P1H Series** can monitor, control, and switch pressures to 1,600 psi. Setpoint adjustment is easily accomplished via an integrated external adjustment screw – no special tools are required. The **P1H Series** is economically priced, and offers proven Dia-Seal piston switch technology for extremely long life.

P1H Applications

With its economical design and repeatability of 2% of full scale, the **P1H Series Pressure Switches** provide an accurate and reliable solution for pressures up to 1600 psi, making them ideal for use in:

- Pump & Compressor Monitoring
- Air Proving in HVAC Systems
- Irrigation Systems
- Engine Monitoring
- Machine Tools
- General Industrial Applications



Need Something Special?

If you have special product requirements, we can help. Barksdale specializes in custom design solutions to meet your needs. Our reputation is built on creating custom products for customers committed to getting exactly what they need. We have design engineers and technical specialists who are experts in solving your unique pressure problems. Our technology and resources are at your disposal.

Need More Information?

Call us. We are only a phone call away.
Toll-Free: 1-800-835-1060.

P1H Pressure Switch

Electrical Characteristics All models incorporate Underwriters Laboratories, Inc. and CSA Listed single pole double throw snap-action switching elements.

Performance Characteristics

Accuracy ± 2% of the adjustable range

Switch Type SPDT Snap Action; single circuit

Rating With Class B & K Switches: 10 Amps @ 125/250/480 VAC; 2 Amps @ 600 VAC; 0.03 Amps @ 250 VDC
 With Class H & J Switches: 10 Amps @ 125/250 VAC; 3 Amps @ 480 VAC
 With Class GH (gold contact) Switch: 1 Amp @ 125 VAC

Physical

Shipping Weight 3.75 lbs. approximate

Wetted Parts

Process Fitting Anodized Aluminum (standard)

O-ring Buna-N

Diaphragm Buna-N

Enclosure Anodized Aluminum

Ratings NEMA 4, 13

Pressure Connection 1/4" NPT Female (standard)

Electrical Connection Internal screw terminals via 1/2" NPT conduit connector

Approvals

CSA Class 3231 02, File No. LR22355

PED (European) Compliant to PED 97/23/EC

Environmental

Temperature Range

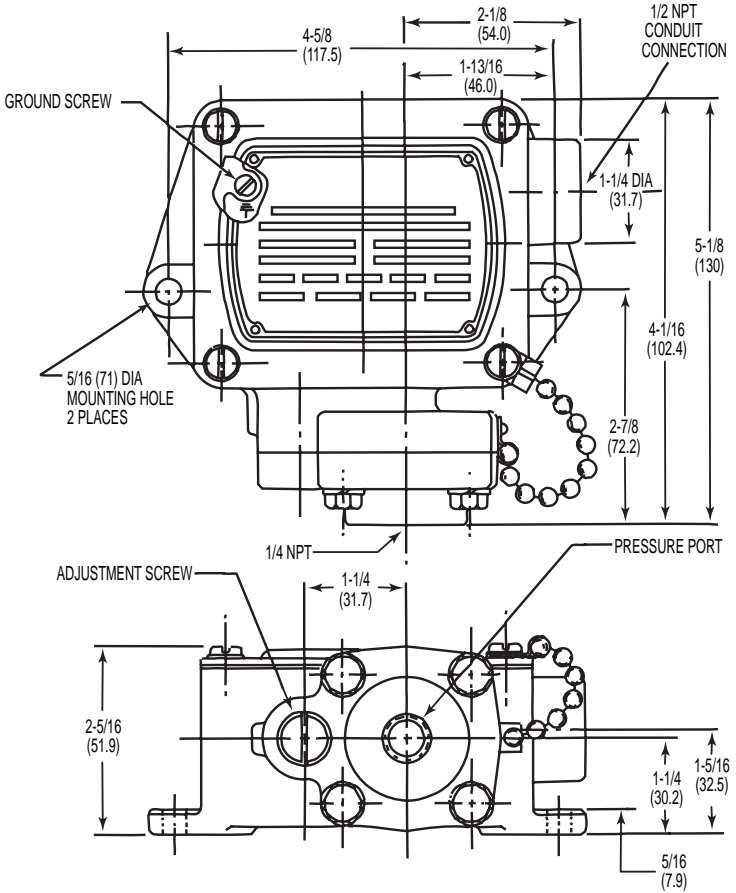
Operating -20° to +165°F (-29° to +74 °C)

Storage -40° to +200°F (-40° to +93°C)

Adjustment Instructions Loosen setscrew with a #10 allen wrench. With screwdriver, turn adjustment screw clockwise to increase and counterclockwise to decrease the actuation point. Tighten setscrew after desired setting is reached.

Consult Factory for These Options

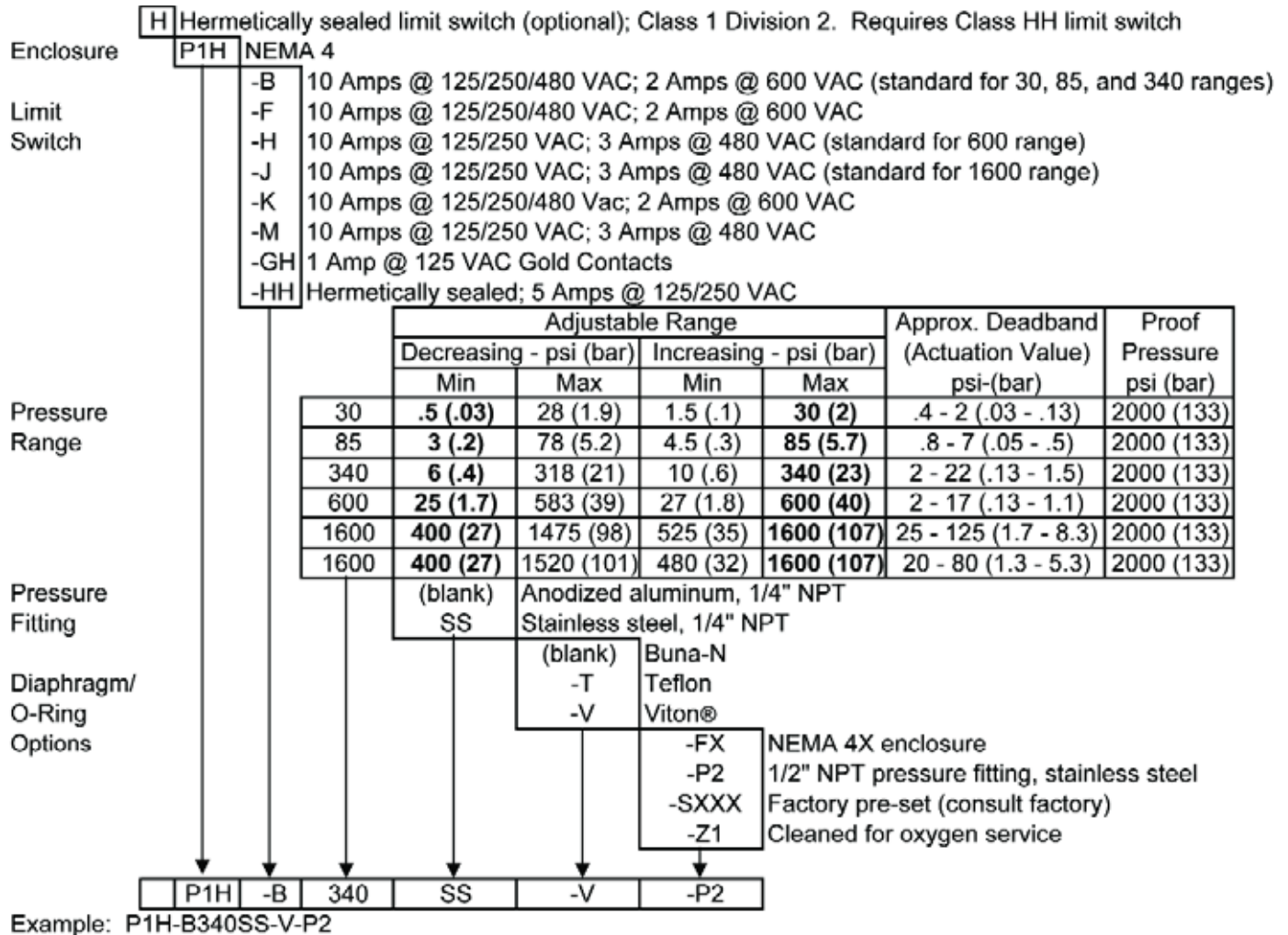
- NEMA 4X
- Hermetically sealed limit switch
- Cleaned for oxygen service



P1H Pressure Switch

Dia-Seal Piston

P1H Series



Miscellaneous:	
Paper Tag	\$5.00
Metal Tag:	\$10.00

Barksdale
CONTROL PRODUCTS

3211 Fruitland Avenue • Los Angeles, CA 90058 • ☎ 800-835-1060 • Fax: 323-589-3463 • www.barksdale.com