

T1X, T2X, L1X Temperature Switches

Explosion Proof Local Mount & Remote Bulb & Capillary Temperature Switches Series T1X, T2X, L1X



- ✦ Explosion-Proof
- ✦ High Accuracy
- ✦ Remote, Local or Ambient Sensing
- ✦ UL, CSA & ATEX Approved
- ✦ NEMA 4, 7, 9 & IP65

Barksdale's L1X, T1X & T2X Series Temperature Switches provide unmatched performance, quality & reliability in a mechanical thermostat – a safe solution for hazardous locations. The single set point L1X & T1X and dual set point T2X, can switch, measure & control temperatures from 50° to 600°F (-45° to 316°C), and meets Class 1, Div. 1 & 2 hazardous location requirements.

The optional adjustable differential provides precise control. These switches can be mounted locally for control directly at the source or remotely up to 25 feet. The L1X, T1X & T2X Series are electrically rated for 10 amps @ 125/250 VAC & 3 amps @ 480 VAC. Standard 3 & 6 pin terminal strips simplify installation. The L1X, T1X & T2X Series are rated NEMA 4, 7 & 9 and incorporate stainless steel temperature sensors to handle a wide range of media. Optional thermowells allow the sensor to work in pressurized vessels to 5000 psi. The L1X, T1X & T2X Series are UL listed, CSA approved, and ATEX Certified (ATEX optional) for hazardous zones within the European Community.

Barksdale Exceeding Your Expectations Through Our People, Products and Performance
CONTROL PRODUCTS

T1X, T2X, L1X Temperature Switches

When Temperature Matters, Call Barksdale

For many years, Barksdale temperature switches have been switching, measuring and controlling critical processes throughout the world.

Protect Your Equipment with Barksdale

Barksdale temperature switches prevent damage to heavy industrial equipment by monitoring the temperature of engine fluids and protecting against thermal overloads. Hydraulic power units are protected by controlling the temperature of fluids in systems in reservoirs.

In cold climates, Barksdale temperature switches control heating devices that prevent pipes, valves and fittings from freezing preventing expensive loss and downtime. Barksdale thermostats also control the temperature in process piping to maintain the proper flow of media.

Barksdale temperature switches can be used in a variety of applications:

- Hydraulic Power Units
- Combustion Engines
- Tanks and Reservoirs
- Gearboxes
- Pumps
- Compressors
- Machine Tools and Industrial Equipment
- Farm & Construction Machinery
- Process Equipment



Need Something Special?

If you have special product requirements, we can help. Barksdale specializes in custom design solutions to meet your needs. We have design engineers and technical specialists who are experts in solving your unique temperature problems. Our technology and resources are at your disposal.

Need More Information?

We are only a phone call away.

Toll-Free: 1-800-835-1060.

T1X, T2X, L1X Temperature Switches

General Description

Electrical Characteristics All models incorporate Underwriters' Laboratories, Inc. and CSA listed single pole double throw snap-action switching elements. Switches may be wired normally open or normally closed.

Electrical Ratings AC value at 75% Power Factor —10 amps 125, 250 volts AC, 3 amps 480 volts AC. Automatically reset by snap-action of switch.

Performance Characteristics

Accuracy +/- 1% of mid - 60% of full range. At constant ambient +/- 0.5% of full scale.

Switch Single Setting: One (1) SPDT Circuit.
Dual Setting: 2 Independent SPDT Circuits.

Adjustment Tamper Resistant External Adjustment

Local Mount Immersion Length 2-1/16 inches

Bulb & Capillary 6 and 12 foot length standard. See Operating Characteristics and Ordering Data Chart

Physical

Weight Single - Approximate 3.0 lbs.
Dual - Approximate 7.0 lbs.

Enclosure/Housing Designed for Hazardous Locations: Class I, Division 1 & 2
NEMA 4, 7, 9 & IP65 Tamperproof External Adjustment, Enclosed Terminal Strip.

Elect. Connection Single: 3-Pin Terminal Strip
Dual: 6-Pin Terminal Strip

Wetted Materials 304 Stainless Steel

Approvals/Listings Underwriters' Laboratories, Inc. and Canadian Standard Assoc. are listed under Temperature indicating and regulating equipment, for use in hazardous locations, Class I, groups B, C and D; Class II, groups E, F and G

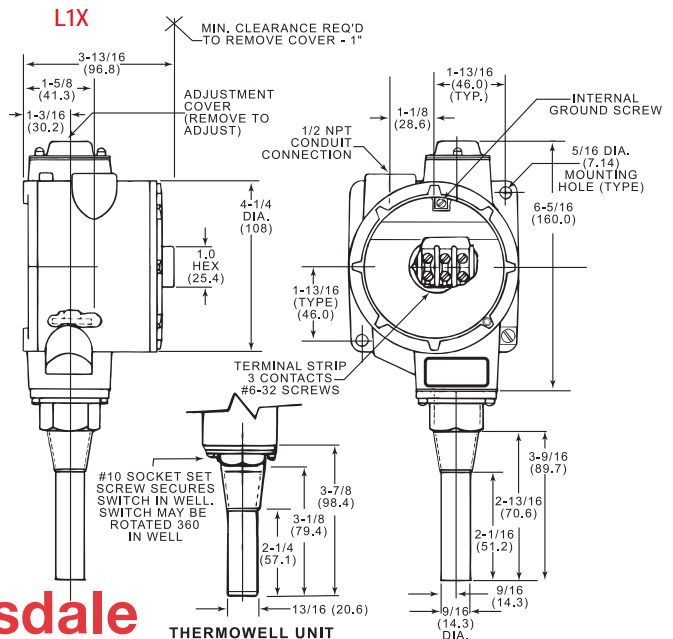
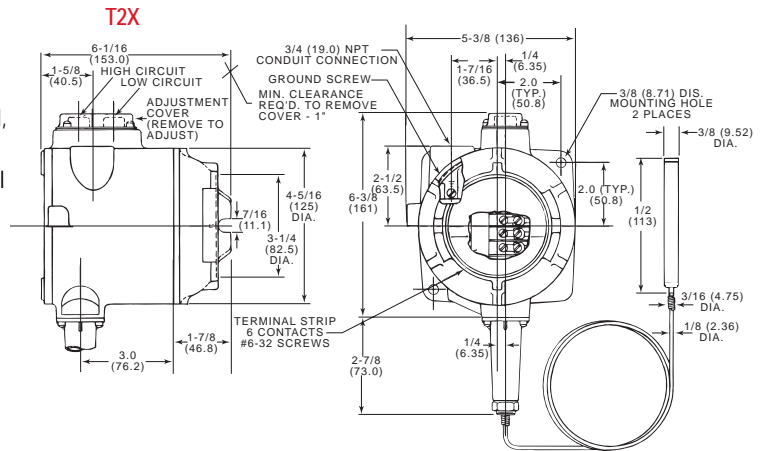
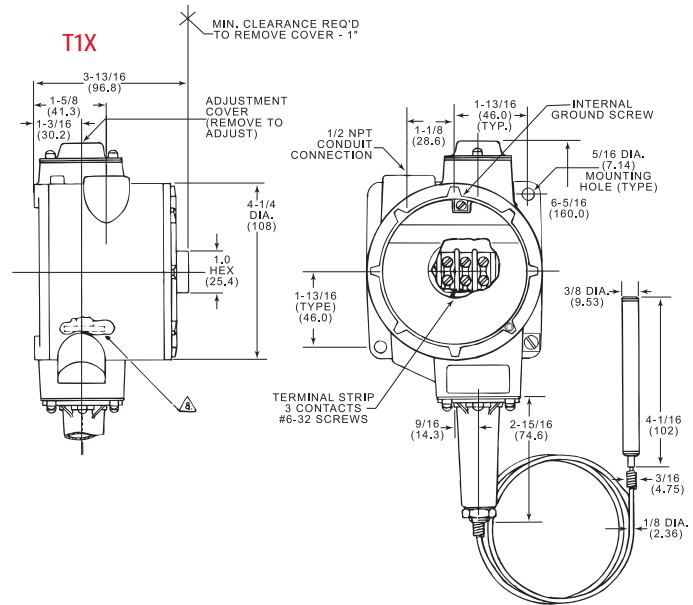
UL (standard) File No. E58658, Guide No. XBDV
CSA (standard) File No. LR34556,
Guide 400-E-O.8. Class 4868.

ATEX (optional) EX models are ATEX certified per ISSeP 03 ATEX 121 & maked as follows:
CE 0081 II2 GD EEx d IIC T6 T85° C

Environmental

Temperature Range See Operating Characteristics and Ordering Data Chart

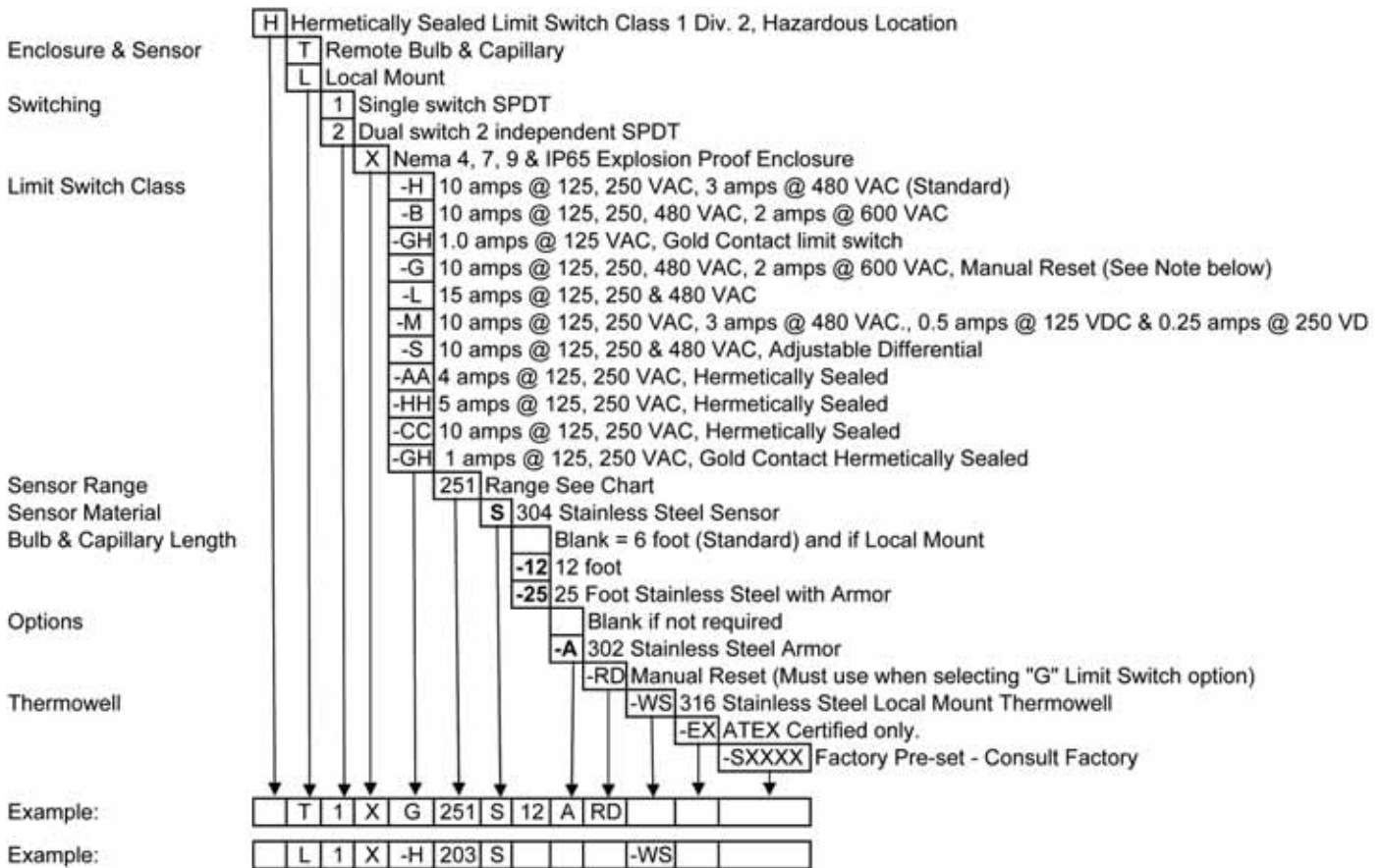
Wiring Code		
Lead	Circuit 1	Circuit 2
Normally Closed	Blue	Orange
Common	Purple	Brown
Normally Open	Red	Yellow



T1X, T2X, L1X Temperature Switches

Explosion Proof Temperature Switches Configurator

Series T1X, T2X, L1X



*** NOTE #1:** When selecting the manual reset option on dual setting switches (T2X), the manual reset limit switch will be on the high circuit. The low circuit limit switch must be specified by the customer.

NOTE #2: Changing limit switch will effect dead-band; See sales drawing.

T1X and T2X Operating Characteristics: Remote Bulb & Capillary

Range	Adjustable Range				Media Temperature Limit (Proof)				Differential (Approx.) Liquid		Calibrated Dial Adjustment
	°F		°C		°F		°C		°F	°C	
	Low	High	Low	High	Low	High	Low	High			
154	-50°	+150°	-45°	+66°	-100°	+200°	-73°	+93°	1° to 2°	.5° to 1.1°	Calibrated
251	+50°	+250°	+10°	+121°	-100°	+300°	-73°	+149°	1° to 2°	.5° to 1.1°	5° Subdivision
351	+150°	+350°	+66°	+350°	-100°	+400°	-73°	+209°	1° to 2°	.5° to 1.1°	200° Span
601	+300°	+440°	+149°	+227°	0°	+650°	-18°	+343°	2° to 4°	1.1° to 2.2°	5° Subdivision
603	+320°	+600°	+160°	+316°	0°	+650°	-18°	+343°	2° to 4°	1.1° to 2.2°	140° Span
											10° Subdivision
											280° Span

L1X Operating Characteristics: Local Mount

Range	Adjustable Range				Media Temperature Limit (Proof)				Differential (Approx.) Liquid		Calibrated Dial Adjustment
	°F		°C		°F		°C		°F	°C	
	Low	High	Low	High	Low	High	Low	High			
201	-50°	+75°	-45°	+24°	-100°	+250°	-73°	+121°	1° to 3°	.5° to 1.6°	Calibrated
202	+15°	+140°	+9°	+60°	-100°	+250°	-73°	+121°	1° to 3°	.5° to 1.6°	2° Subdivision
203	+75°	+200°	+24°	+93°	-100°	+250°	-73°	+121°	1° to 3°	.5° to 1.6°	125° Span
351	+100°	+225°	+38°	+107°	-100°	+400°	-73°	+205°	1° to 3°	.5° to 1.6°	
204	-50°	+200°	-45°	+93°	-100°	+250°	-73°	+121°	1° to 3°	1.6° to 3.3°	5° Subdivision
354	+100°	+350°	+38°	+177°	-100°	+400°	-73°	+205°	1° to 3°	1.6° to 3.3°	250° Span
454	+150°	+450°	+66°	+232°	0°	+500°	-18°	+343°	3° to 6°	1.6° to 3.3°	10° Subdivision
											300° Span

NOTE: changing limit switch will effect dead band; See sales drawing

Barksdale
CONTROL PRODUCTS

3211 Fruitland Avenue • Los Angeles, CA 90058 • ☎ 800-835-1060 • Fax: 323-589-3463 • www.barksdale.com