

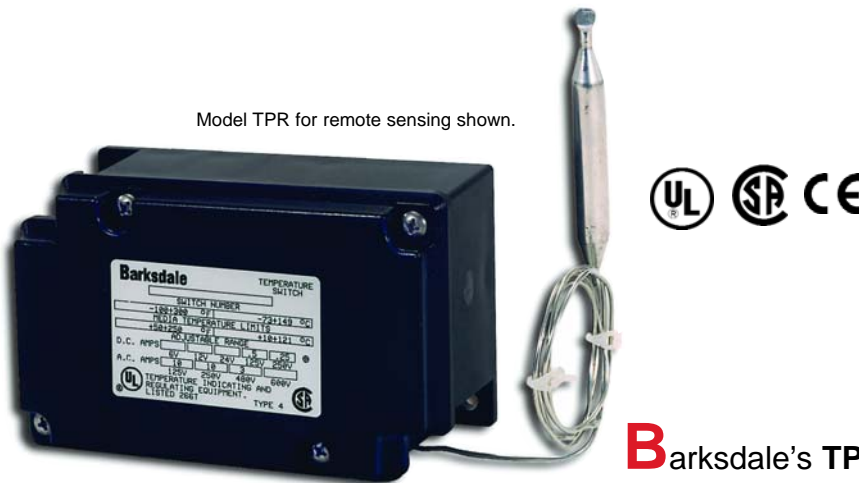
TPR Temperature Switch

Temperature Switch for General Applications

Series TPR

- ✦ High Accuracy
- ✦ NEMA 4X & IP 65
- ✦ UL, CSA and CE Approved
- ✦ Compact, Economical Design

Model TPR for remote sensing shown.



Barksdale's **TPR Series** Temperature Switch adds flexibility to Barksdale's solid reputation for quality & reliability, and offers versatility for your temperature sensing needs. This switch is ideal for applications where freeze protection or lower temperature control is critical. The **TPR** is available in factory set and locked NEMA 4X configurations. The tin-plated sensor comes in 3 or 10 foot lengths. The **TPR Series** feature limit switches with 22 amps @ 125/250/480 VAC electrical ratings. The **TPR Series** is UL listed and CSA approved.

Barksdale Exceeding Your Expectations Through Our People, Products and Performance
CONTROL PRODUCTS

TPR Temperature Switch

When Temperature Matters, Call Barksdale

For many years, Barksdale temperature switches have been switching, measuring and controlling critical processes throughout the world.

Protect Your Equipment with Barksdale

Barksdale temperature switches prevent damage to heavy industrial equipment by monitoring the temperature of engine fluids and protecting against thermal overloads. Hydraulic power units are protected by controlling the temperature of fluids in systems in reservoirs.

In cold climates, Barksdale temperature switches control heating devices that prevent pipes, valves and fittings from freezing preventing expensive loss and downtime. Barksdale thermostats also control the temperature in process piping to maintain the proper flow of media.

Barksdale temperature switches can be used in a variety of applications:

- Hydraulic Power Units
- Combustion Engines
- Tanks and Reservoirs
- Gearboxes
- Pumps
- Compressors
- Machine Tools and Industrial Equipment
- Farm & Construction Machinery
- Process Equipment



Need Something Special?

If you have special product requirements, we can help. Barksdale specializes in custom design solutions to meet your needs. We have design engineers and technical specialists who are experts in solving your unique temperature problems. Our technology and resources are at your disposal.

Need More Information?

We are only a phone call away.
Toll-Free: 1-800-835-1060.

TPR Temperature Switch

Performance Characteristics

Accuracy ±1% of full scale
 Switch Type SPDT, Prewired Snap Action
 Rating 22 amp @ 125/250/480 VAC
 Factory Preset Factory set range of 40°F
 Close on decreasing temperature

Media Temperature Limits	Adjustable Range	Differential (approximate)	Catalog Number
-40 to 160°F (-40 to 71°C)	40°F (4.4°C)	10°F (5.6°C)	TPR-L1N-3X-Q10

Bulb and Capillary

Material Copper, tin plated
 Bulb 3.12" (79mm), 0.39" (10mm) dia.
 Capillary Length 30" (762mm)
 System Pressure (max) 300 psi without thermowell
 Fill Silicone oil-filled

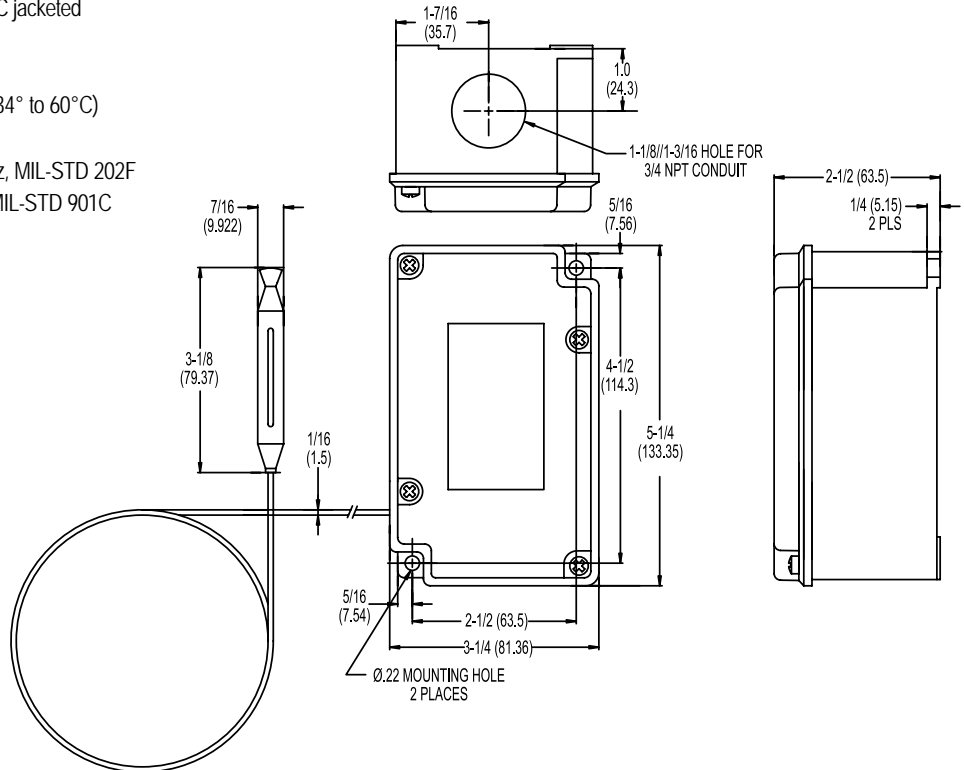
Physical

Weight 1.1 pound (0.5 kg)
 Enclosure Polycarbonate, black
 Ratings NEMA 4X
 Electrical Connection 1-1/8" (28mm) hole for 3/4" NPT conduit hub
 12", 14 AWG stranded copper wire, PVC jacketed
 UL, CSA

Approvals

Environmental

Ambient Temperature -30° to 140°F (-34° to 60°C)
 ENI/RFI to EN 5011
 Vibration 10 g's 10-500 Hz, MIL-STD 202F
 Shock 50 g's, 10 mS, MIL-STD 901C



TPR Temperature Switch

Temperature Switch for General Applications - Configurator

Series TPR

Basic Configurator T Temperature Switch

Limit Switch P Polycarbonate Plastic Nema 1 Enclosure

R Remote bulb & capillary

-L 22 Amps @ 125/250/480 VAC

Range	Fixed Set-point		Media Temperature Limit (Proof)				Differential (Approx.) Liquid	
	°F	°C					°F	°C
			Low	High	Low	High		
1	40°	4.4°	-40°	+160°	-40°	+71°	10°	5.6°

Wetted Material N Nickel plated copper sensor

Options

- 3X 3 foot bulb & capillary (Nema 4X)
- 10X 10 foot bulb & capillary (Nema 4X)
- Q10 Heat tracing model
- Sxxx Factory pre-set (consult factory)

Example: T P R -L 1 N -10X -Q10
TPR-L1N-10X-Q10

Barksdale
CONTROL PRODUCTS

3211 Fruitland Avenue • Los Angeles, CA 90058 • ☎ 800-835-1060 • Fax: 323-589-3463 • www.barksdale.com