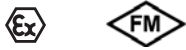


# TXR, TXL Temperature Switch

Temperature Switch for Hazardous Areas

Series TXR, TXL

- ✦ Explosion-Proof
- ✦ High Accuracy
- ✦ Line or Ambient Sensing
- ✦ UL, CSA & ATEX Approved



Model TXR for remote sensing shown.



**B**arksdale's TXR & TXL Series Temperature Switches add flexibility to Barksdale's solid reputation for quality & reliability and offer versatility for your temperature switching needs. These thermostats are ideal for freeze protection or temperature control in hazardous applications. The TXR & TXL Series thermostats feature 10 foot stainless steel sensors for remote monitoring and local mount sensors for ambient temperature sensing. The TXR & TXL Series feature limit switches with 22 amps @ 125/250/480 VAC electrical ratings. The TXR & TXL Series models are all UL listed, CSA & FM approved and ATEX certified for use in hazardous zones within the European Community.

# TXR, TXL Temperature Switch

## When Temperature Matters, Call Barksdale

**F**or many years, Barksdale temperature switches have been switching, measuring and controlling critical processes throughout the world.

### Protect Your Equipment with Barksdale

Barksdale temperature switches prevent damage to heavy industrial equipment by monitoring the temperature of engine fluids and protecting against thermal overloads. Hydraulic power units are protected by controlling the temperature of fluids in systems in reservoirs.

In cold climates, Barksdale temperature switches control heating devices that prevent pipes, valves and fittings from freezing preventing expensive loss and downtime. Barksdale thermostats also control the temperature in process piping to maintain the proper flow of media.

### Barksdale temperature switches can be used in a variety of applications:

- Hydraulic Power Units
- Combustion Engines
- Tanks and Reservoirs
- Gearboxes
- Pumps
- Compressors
- Machine Tools and Industrial Equipment
- Farm & Construction Machinery
- Process Equipment



### Need Something Special?

If you have special product requirements, we can help. Barksdale specializes in custom design solutions to meet your needs. We have design engineers and technical specialists who are experts in solving your unique temperature problems. Our technology and resources are at your disposal.

### Need More Information?

We are only a phone call away.

Toll-Free: 1-800-835-1060.

# TXR, TXL Temperature Switch

**Performance Characteristics**

**Switch**  
 Type SPDT, Prewired Snap Action  
 Rating 22 amp @ 125/250/480 VAC  
**Adjustment**  
 External adjustment knob  
**Bulb and Capillary**  
 Material 316L Stainless Steel  
 Bulb 7-3/4" (197mm), 5/16" (8mm) dia.  
 Capillary Length 10 feet (3m), Remote mount only  
 System Pressure (max) 300 psi without thermowell  
 Fill Silicone oil-filled

Media Temperature Limits	Adjustable Range	Differential (approximate)	Sensing Location	Catalog Number
<b>Heat Tracing</b>				
-40° to 420°F (-40° to 215°C)	25° to 325°F (-4° to 163°C)	10°F (5.6°C)	Line Sensing T-stat	TXR-L2S-10-Q10
-40° to 160°F (-40° to 71°C)	15° to 140°F (-9° to 60°C)	10°F (5.6°C)	Ambient Sensing T-stat	TXL-L1S-Q10

**Physical**

Weight 3.8 pound (1.7 kg)  
 Enclosure Anodized, Silver Painted Aluminum  
 Ratings NEMA 4, 7, 9, & IP65  
 Electrical Connection 3/4" NPT female conduit connection. 3 pole terminal block accepts 14-10 AWG wire  
 Approvals FM, UL, CSA - Class I, Group B, C & D  
 Class II, Group E, F & G  
 ATEX EEx d IIC, T6

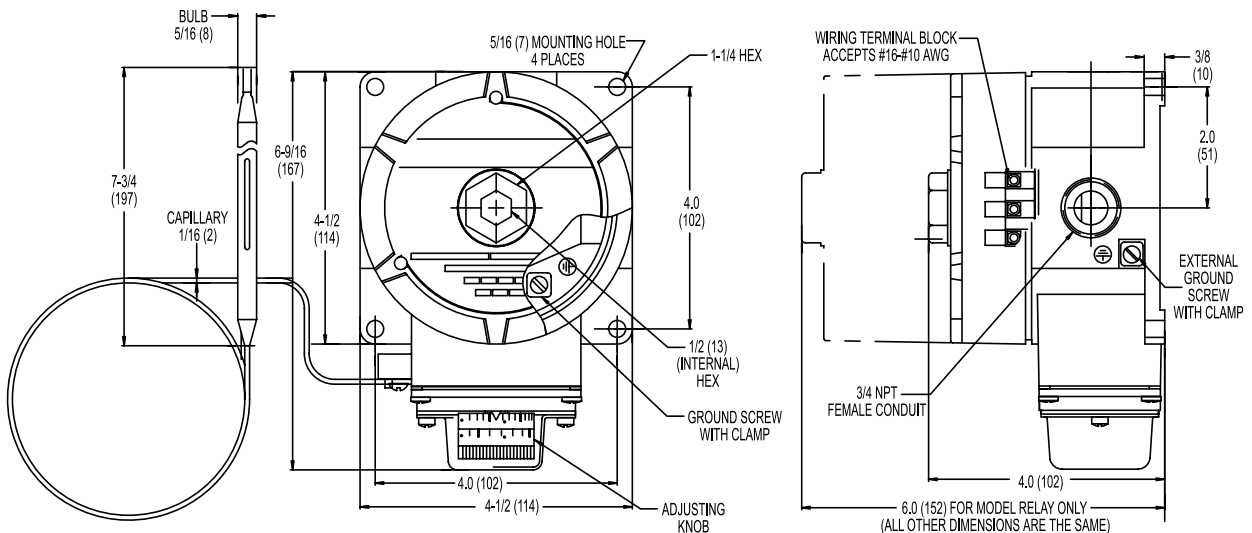
**Environmental**

Ambient Temperature -40° to 160°F (-40° to 71°C)  
 EN/RFI to EN 55011  
 Vibration 10 g's 10-500 Hz, MIL-STD 202F  
 Shock 50 g's, 10 mS, MIL-STD 901C

**Standard Options**

(Add dash and suffix letter to end of catalog number)  
 R - DPST relay 22 amp @ 120/240/277 VAC. Contacts close on falling temperature. Relay Coil: 120 VAC, 4VA.

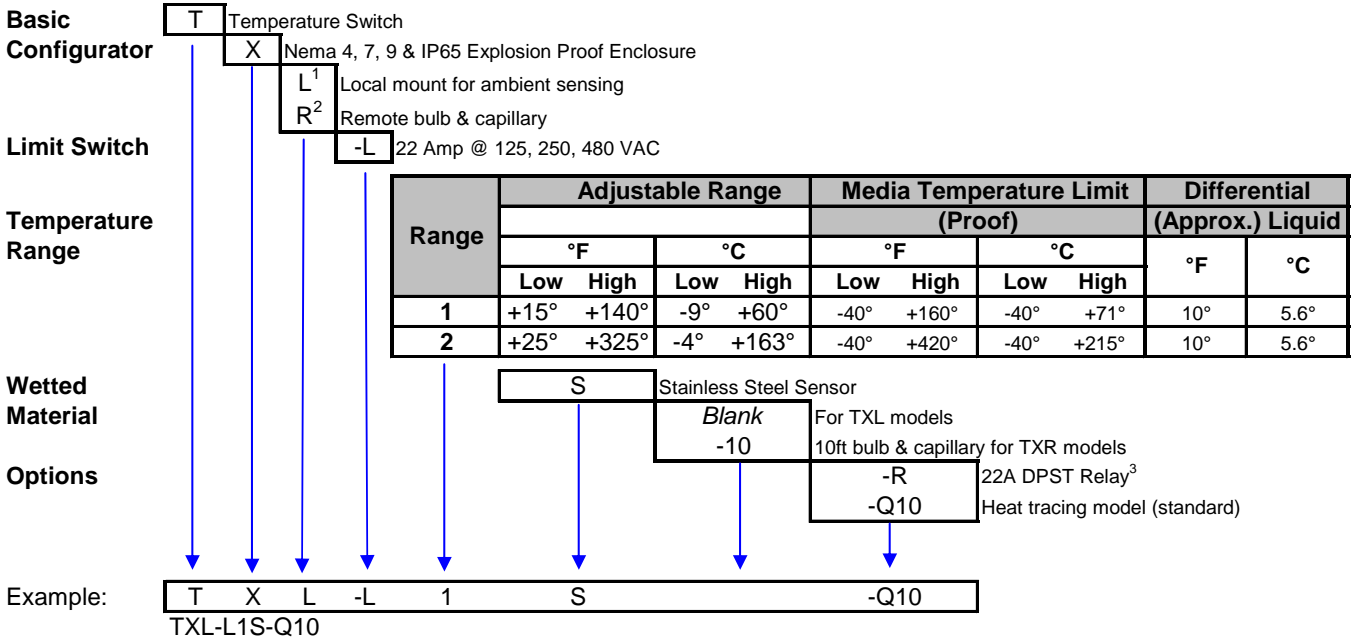
Example: TXR-L2S-10-Q10



# TXR, TXL Temperature Switch

## Temperature Switch for Hazardous Areas - Configurator

### Series TXR, TXL



**NOTES:**

<sup>1</sup> Use Temperature Range "1" for local sensing applications

<sup>2</sup> Use Temperature Range "2" for remote sensing applications

<sup>3</sup> DPST switch, 22 Amps @ 120/240/277 VAC. Relay Coil: 120 Vac, 4 VA. Contacts close on falling temperature.

**Barksdale**  
CONTROL PRODUCTS

3211 Fruitland Avenue • Los Angeles, CA 90058 • ☎ 800-835-1060 • Fax: 323-589-3463 • www.barksdale.com