

UPA 21 Series

OEM Pressure Transducer
UPA 21 Series

- ✦ Ideal for OEM Applications
- ✦ Ultra-Compact Size
- ✦ 0.5% Accuracy
- ✦ High Resistance to Shock and Vibration



Barksdale's UPA21 Series Transducers are ultra-compact, mid-level, industrial grade transducers ideal for use in OEM applications where reliability is essential and

space is at a premium. At just over two inches in overall length and less than one inch in diameter, the **UPA21** will fit the tightest of spaces. Wetted parts are 316 stainless steel and the IP65 enclosure features all-welded construction for maximum protection against moisture intrusion. These units feature a stable, diffused silicon sensor that achieves 0.5% accuracy, pressure ranges from 0-100 psi to 0 - 6,000 psi, that provide a 4-20 mA analog output. For applications requiring an economical and highly accurate transducer in an ultra-compact package, the **UPA21** is the transducer to choose.

UPA 21 Series

Control Your System with Barksdale Transducers

When looking to fill your pressure sensor requirements, choose **Barksdale Transducers and Transmitters**. Our products are designed to meet your stringent requirements for accuracy, repeatability, and versatility. Barksdale Transducers and Transmitters are the ideal solution to precisely control your system's variables and enjoy improved performance of your equipment.

Barksdale's UPA21 Transducer is developed for optimum performance. Our proven diffused silicon sensor technology provides an unbeatable combination of 0.5% accuracy, output ranges from 0-100 psi to 0-6,000 psi, shock and vibration resistance, noise protection and long term stability. With **Barksdale's UPA21 Transducer**, you can count on long life and trouble-free operations, all at an attractive price.

Typical **UPA21 Transducer** Applications:

- Hydraulic Control Systems
- Automated Machinery
- Construction Equipment
- Pumps and Compressors
- Machine Tools
- Mobile Hydraulics



In addition to our standard transducer products, Barksdale also has a complete line of explosion proof, intrinsically safe, and non-incendive transducers and transmitters for use where flammable gasses, vapors, liquids, or dust particles are present.

Need Something Special?

Our transducers and transmitters can be custom designed to meet your special requirements. Call us. We're just a phone call away. 1-800-835-1060.

UPA 21 Series

Performance Characteristics

Accuracy ±0.5% FSO
 Temperature Effect
 Zero ±0.03% FSO/°C
 Span ±0.03%/°C
 Long-term Stability, typical < 0.2% FSO
 Linearity (BSFL), typical 0.25% FS
 Lifecycle 10 million cycles @ 100% full scale
 Warranty 1 Year

Physical

Wetted Parts 316 Stainless steel
 Enclosure 316 Stainless steel
 Pressure Connection 1/4" -18 NPT male
 Electrical Connection Mini-Din connector Series 43650 standard (included)
 Weight 1.06 oz. (30 grams) Approx.

Electrical

Analog Output 4 – 20 mA
 Excitation Voltage 8 - 28 VDC
 Insulation Resistance > 10 M/50 V

Environmental

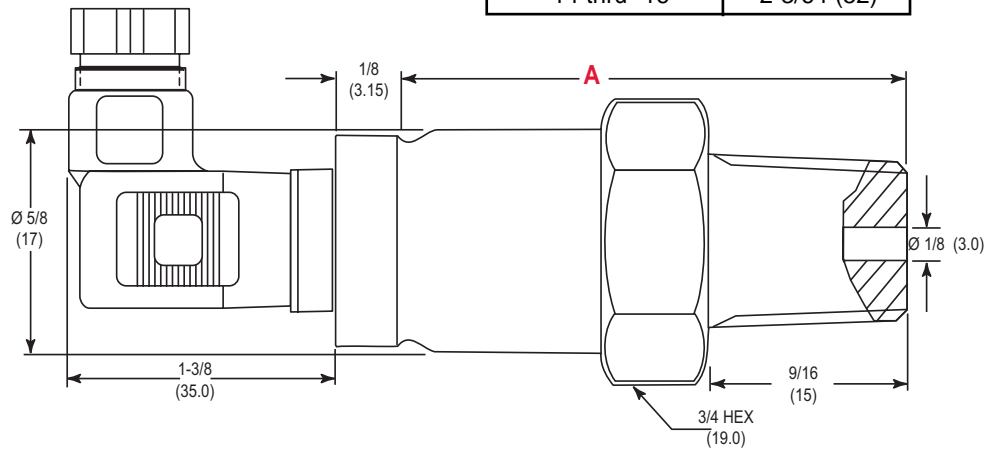
Temperature Range
 Operating -13° to +176°F (-25° to +80°C)
 Compensated +32° to +122°F (0° to +50°C)
 Protection Class IP 65
 Shock Resistance 20 g, 11 ms
 Vibration Resistance 20 g, 5-2000 Hz per IEC 68-2-6



Wiring Code	
Pin	Connection
1	- Excitation/Output
3	+ Excitation (VCC)
4	Case Ground



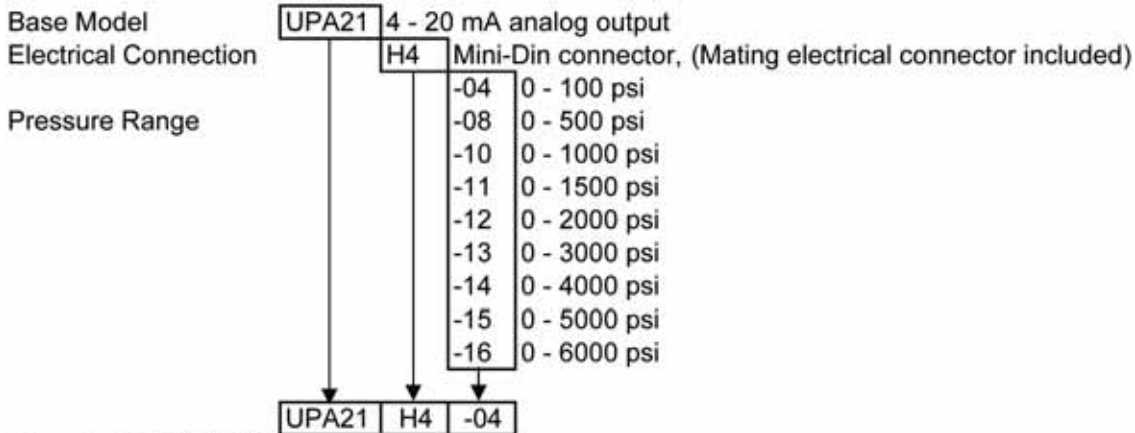
"A" DIMENSION	
Pressure Range	Dimension
-04 thru -08	1-3/8 (35)
-10 thru -13	1-1/2 (38)
-14 thru -16	2-3/64 (52)



UPA 21 Series

OEM Pressure Transducer

UPA 21 Series



Accessories

Description			Part Number
Mating Electrical Connector Kit (not included)	4-Pin Din	Series 43650	239134

Barksdale

CONTROL PRODUCTS

3211 Fruitland Avenue • Los Angeles, CA 90058 • ☎ 800-835-1060 • Fax: 323-589-3463 • www.barksdale.com

See Barksdale's Standard Conditions of Sale • Specifications are subject to modification at any time • Bulletin #R0045-A • 09/05 • ©2005 • Printed in the U.S.A.