

Liquid Filled Gauges

Series P-1550 Low Cost Liquid Filled Utility Gauges

DESCRIPTION

U.S. Gauge P-1550 liquid filled utility gauges are designed for a wide range of rugged service applications on pumps, compressors, hydraulic systems, machine tools, and petrochemical processing equipment. Liquid fill fluid dampens the gauge pointer movement and improves readability, making these instruments ideal for high shock and vibration applications.

Series P-1550 liquid filled gauges are available in psi and bar, kPa, and kg/cm² metric ranges. Rated accuracy is $\pm 3-2-3\%$ of span (Grade B).

Gauges feature a corrosion resistant 300 series stainless steel case and ring, and durable polycarbonate window. Phosphor bronze Bourdon tube, brass movement, and socket connections are standard. Series P-1550 gauges come in 1-1/2" designs with 1/8-27 NPT center back male (CBM) connections (P-1559); 2" and 2-1/2" designs with 1/4-18 NPT low male (LM) (P-1555) and center back male (CBM) (P-1559) connections.

SPECIFICATIONS

CASE: 300 series stainless steel

RING: 300 series stainless steel

WINDOW: Polycarbonate

POINTER: Aluminum, black finish

SEALS: BUNA-N®

DIAL: Aluminum, white background with blue and black markings

SCALE: Dual scale psi/bar (100 x kPa)

MOVEMENT: Brass

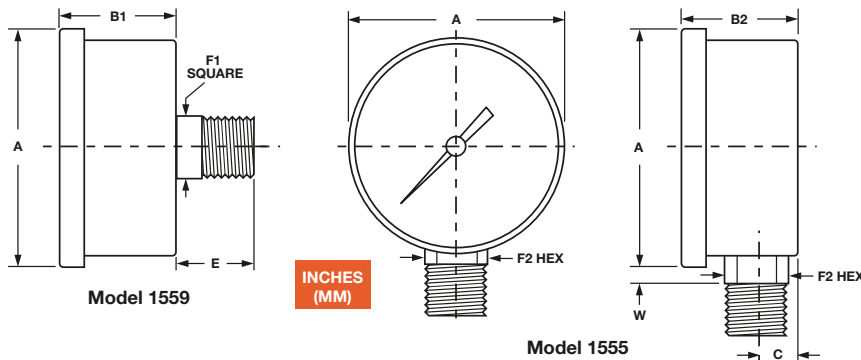
BOURDON TUBE: Phosphor bronze

CONNECTION:

1-1/2": 1/8-27 CBM, NPT

2" and 2-1/2": 1/4-18 NPT LM and CBM

ACCURACY: $\pm 3-2-3\%$ of span (Grade B)



DIAL SIZE		A	B1	B2	C	E	F1	F2	W
1-1/2"	inches	1.72	1.02	-	-	.75	.55	-	-
	mm	43.7	25.9	-	-	19.1	14.0	-	-
2"	inches	2.25	1.09	1.10	.39	.74	.55	.55	.35
	mm	57.2	27.7	27.9	9.9	18.8	14.0	14.0	8.9
2-1/2"	inches	2.67	1.34	1.30	.41	1.12	.55	.55	.35
	mm	67.8	34.0	33.0	10.4	28.5	14.0	14.0	8.9

© 2002, by AMETEK, Inc. All rights reserved. 15M1102A (160126) Specifications are subject to change without notice. Visit our Web sites for the most up-to-date information.



For Gauges/Thermometers:
U.S. GAUGE
 820 Pennsylvania Blvd.
 Feasterville, PA 19053 U.S.A.
 Tel: (215) 355-6900
 Fax: (215) 354-1802
 www.ametekusg.com

Customer Service Tel: (863) 534-1504
 Customer Service Fax: (863) 533-7465

For Electronic Products:
PMT PRODUCTS
 820 Pennsylvania Blvd.
 Feasterville, PA 19053 U.S.A.
 Tel: (215) 355-6900
 Fax: (215) 354-1800
 www.ametekusg.com

For Diaphragm Seals:
M&G PRODUCTS
 8600 Somerset Drive
 Largo, FL 33773 U.S.A.
 Tel: (727) 536-7831
 Fax: (727) 539-6882
 www.ametek.com/tci





Liquid Filled Gauges

Series P-1550 Low Cost Liquid Filled Utility Gauges

SPEC NUMBER SELECTION CHART

Series P-1550†	1-1/2" STEM MOUNTING 1/8-27 NPT CBM CONNECTION		2" STEM MOUNTING 1/4-18 NPT LM CONNECTION		2-1/2" STEM MOUNTING 1/4-18 NPT LM CONNECTION	
	Phosphor Bronze	Phosphor Bronze	Phosphor Bronze	Phosphor Bronze	Phosphor Bronze	Phosphor Bronze
Bourdon Tube	Phosphor Bronze	Phosphor Bronze	Phosphor Bronze	Phosphor Bronze	Phosphor Bronze	Phosphor Bronze
Connection	Brass	Brass	Brass	Brass	Brass	Brass
Model Number	1559	1555	1559	1555	1559	1555
Range*	Spec No.	Spec No.	Spec No.	Spec No.	Spec No.	Spec No.
0-30" Hg VAC	-	-	-	-	171722A	171733A
30"-0-15 psi	-	-	-	-	171723A	171734A
30"-0-30 psi	-	-	-	-	171724A	171735A
30"-0-60 psi	-	-	-	-	171725A	171736A
30"-0-100 psi	-	-	-	-	171726A	171737A
30"-0-150 psi	-	-	-	-	171727A	171738A
0-15 psi	-	-	-	-	171728A	171739A
0-30 psi	166664	165282	165289	165296	165303	165303
0-60 psi	166665	165283	165290	165297	165304	165304
0-100 psi	166666	165284	165291	165298	165305	165305
0-160 psi	166667	165285	265292	165299	165306	165306
0-200 psi	-	-	-	-	171729A	171740A
0-300 psi	166668	165286	165293	165300	165307	165307
0-400 psi	-	-	-	-	171730A	171741A
0-600 psi	-	165287	165294	165301	165308	165308
0-1000 psi	166669	165288	165295	165302	165309	165309
0-1500 psi	-	-	-	-	171731A	171742A
0-2000 psi	-	-	-	-	165377	165380
0-3000 psi	-	-	-	-	165378	165381
0-5000 psi	-	-	-	-	171732A	171743A

† Stainless steel case and crimped ring

* All dials have 3 scale dial face (psi/bar/x100=kPA); other scales and ranges are available, please contact Customer Service at (863) 534-1504

OPTIONS AVAILABLE ON SPECIAL REQUEST (Consult factory for pricing)

1. Center back mount with U-clamp (fixed on case)
2. Stainless steel front flange ring (sold separately)
3. Chrome plated steel clamping ring (sold separately)
4. High pressure ranges to 4000 psi

© 2002, by AMETEK, Inc. All rights reserved. 15M1102A (160126) Specifications are subject to change without notice. Visit our Web sites for the most up-to-date information.



For Gauges/Thermometers:

U.S. GAUGE
820 Pennsylvania Blvd.
Feasterville, PA 19053 U.S.A.
Tel: (215) 355-6900
Fax: (215) 354-1802
www.ametekusg.com

Customer Service Tel: (863) 534-1504
Customer Service Fax: (863) 533-7465

For Electronic Products:

PMT PRODUCTS
820 Pennsylvania Blvd.
Feasterville, PA 19053 U.S.A.
Tel: (215) 355-6900
Fax: (215) 354-1800
www.ametekusg.com

For Diaphragm Seals:

M&G PRODUCTS
8600 Somerset Drive
Largo, FL 33773 U.S.A.
Tel: (727) 536-7831
Fax: (727) 539-6882
www.ametek.com/tci

