

# 9675, A9675 Pressure Switch

**Sealed Piston, Double Make, Double Break**  
**Series 9675, A9675**



- ✦ Extremely Long Life
- ✦ Calibrated Dial for Easy Setpoint Adjustment
- ✦ Tamper-proof External Adjustment
- ✦ Oil & Dust Tight
- ✦ Easy Setpoint Adjustment

**B**arksdale's Series 9675 & A9675 Sealed Piston Pressure Switches offer extremely long life in a robust package, making them the ideal solution to your industrial pressure control needs. Sealed Piston switches are ideal for applications demanding rapid cycling at high pressure. Available in various pressure ranges up to 6,000 psi, sealed piston switches are suitable for use in industrial applications such as hydraulic presses, compactors, and machine tools. All models feature a durable, anodized aluminum enclosure with a tamper proof adjustment screw cover and an integrated 1/2" NPT conduit connector, and are rated to NEMA 13 as a standard. For applications requiring a highly accurate switch in a durable package, Barksdale's Series 9675 & A9675 Sealed Piston Pressure Switches are the ideal choice.

**Barksdale** Exceeding Your Expectations Through Our People, Products and Performance  
**CONTROL PRODUCTS**

# 9675, A9675 Pressure Switch

## With Barksdale - Pressure's No Problem

**A**s a recognized leader in the manufacture of pressure product solutions, Barksdale pressure switches meet the demanding needs of our customers. From 29" Hg to 18,000 psi, Barksdale has pressure switches for a variety of applications – from transformers to natural gas compressors to beverage dispensers – and more!

**Barksdale's Series 9675 & A9675 Sealed Piston Pressure Switches** provide an economical solution for your pressure sensing needs. Sealed piston switches accurately control pressures from 20 to 6,000 psi positive pressure, and can be factory pre-set upon request. Setpoint adjustment is easily accomplished by turning the adjustment screws, which are protected by a tamper-resistant cover on housed models. A variety of available factory options allows the sealed piston switches to be configured to the exact needs of your application.

### Sealed Piston Pressure Switch Applications

With its rugged design and high repeatability, **Barksdale's Series 9675 & A9675 Sealed Piston Pressure Switches** provide an accurate and reliable solution for pressures up to 6,000 psi, making them ideal for use in:

- Machine Tools
- Hydraulic Presses
- Compactors
- Hydraulic Power Units
- Compressors



### Need Something Special?

If you have special product requirements, we can help. Barksdale specializes in custom design solutions to meet your needs. Our reputation is built on creating custom products for customers committed to getting exactly what they need. We have design engineers and technical specialists who are experts in solving your unique pressure problems. Our technology and resources are at your disposal.

### Need More Information?

Call us. We are only a phone call away.  
Toll-Free 1-800-835-1060.

# 9675, A9675 Pressure Switch

**Electrical Characteristics** All models incorporate Underwriters Laboratories, Inc. and CSA Listed single pole, double throw snap-action switching elements.

**Performance Characteristics**

**Accuracy** ± 2% of the adjustable range

**Switch Type** SPDT or DMDB Snap Action; single circuit

**Rating**

**9675** 10 Amps @ 125, 250, or 480 VAC; 7.5 Amps @ 600 VAC; 0.5 Amps at 250 VDC

**A9675** 15 Amps @ 125, 250, or 480 VAC; 7.5 Amps @ 600 VAC; 0.5 Amps at 250 VDC

**Physical**

**Shipping Weight** 1.75 lbs. approximate

**Wetted Parts**

**Process Fitting** 416 Stainless Steel

**O-ring** Buna-N with Teflon® backup ring

**Piston** 416 Stainless Steel

**Enclosure** Anodized Aluminum

**Ratings** NEMA 13

**Pressure Connection** 1/4" NPT Female

**Electrical Connection** Through 1/2" NPT conduit connection to screw terminals

**Approvals** PED (European) Compliant to PED 97/23/EC

**Environmental**

**Temperature Range**

**Operating** -20° to +165°F (-29° to +74°C)

**Storage** -40° to +200°F (-40° to +93°C)

**Adjustment Instructions**

**Setpoint** Loosen adjustment screw cover and open. Using a 5/16" allen wrench, turn adjustment screw clockwise to increase setpoint, counterclockwise to decrease setpoint. The setpoint indicator (located inside enclosure) provides a visual indication of the approximate setpoint.

**Wiring Code** Normally Open (NO), Normally Closed (NC), and Common (C) terminals are identified on the limit switches

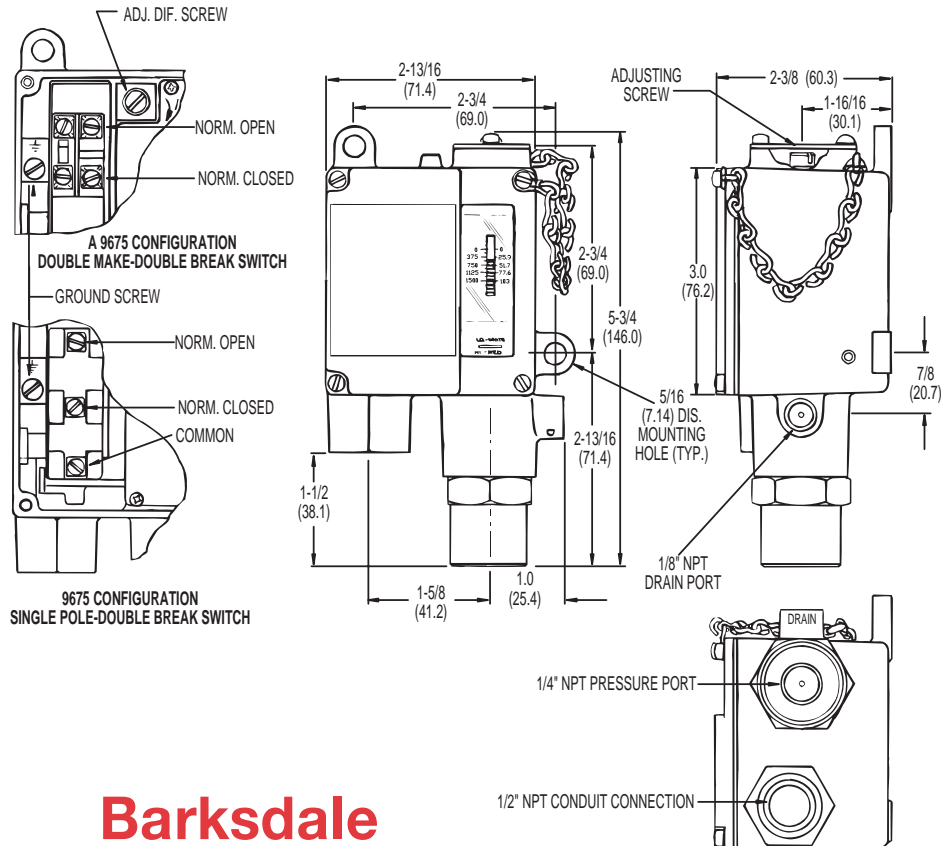
**Consult Factory for These Options**

Factory Pre-set

Cleaned for oxygen service

Adjustable deadband

Drain port, 1/8" NPT



# 9675, A9675 Pressure Switch

**Sealed Piston, Double Make, Double Break**

## Series 9675, A9675

### Model 9675

Base Model **9675** Base part number

	Adjustable Range				Approx. Deadband (Actuation Value)	Proof Pressure	
	Decreasing - psi (bar)		Increasing - psi (bar)				
	Min	Max	Min	Max	psi-(bar)	psi (bar)	
Pressure Range	-0	<b>20 (1.4)</b>	180 (12.2)	25 (1.7)	<b>200 (13.6)</b>	5 - 20 (.3 - 1.4)	3000 (204)
	-1	<b>75 (5.1)</b>	505 (34.3)	85 (5.8)	<b>540 (36.7)</b>	10 - 35 (.7 - 2.4)	3000 (204)
	-2	<b>100 (6.8)</b>	1400 (95.2)	130 (8.8)	<b>1500 (102)</b>	30 - 100 (2.0 - 6.8)	7000 (476)
	-3	<b>235 (16.0)</b>	3200 (218)	295 (20.0)	<b>3400 (231)</b>	60 - 200 (4.1 - 13.6)	7000 (476)
	-4	<b>425 (28.9)</b>	5640 (384)	545 (37.0)	<b>6000 (408)</b>	120 - 360 (8.2 - 24.4)	12000 (816)

- Options
- E EPR O-ring
  - N Neoprene O-ring
  - V Viton® O-ring
  - Z1 Cleaned for oxygen service
  - D Drain port, 1/8" NPT

**9675 -2 -D**

Example: 9675-2-D

### Model A9675

Base Model **A9675** Base part number (with Double-Make, Double Break limit switch)

	Adjustable Range				Approx. Deadband (Actuation Value)	Proof Pressure	
	Decreasing - psi (bar)		Increasing - psi (bar)				
	Min	Max	Min	Max	psi-(bar)	psi (bar)	
Pressure Range	-0	<b>20 (1.4)</b>	170 (11.6)	30 (2)	<b>200 (13.6)</b>	10 - 30 (.7 - 2.0)	3000 (204)
	-1	<b>75 (5.1)</b>	495 (33.7)	95 (6.5)	<b>540 (36.7)</b>	20 - 45 (1.4 - 3.1)	3000 (204)
	-2	<b>100 (6.8)</b>	1370 (93)	140 (9.5)	<b>1500 (102)</b>	40 - 130 (2.7 - 8.8)	7000 (476)
	-3	<b>235 (16.0)</b>	3075 (209)	365 (24.8)	<b>3400 (231)</b>	130 - 325 (8.8 - 22.1)	7000 (476)
	-4	<b>425 (28.9)</b>	5500 (374)	600 (40.8)	<b>6000 (408)</b>	175 - 500 (11.9 - 34.0)	12000 (816)

- Options
- AA Adjustable deadband (consult sales drawing for adjustable range)
  - E EPR O-ring
  - N Neoprene O-ring
  - V Viton® O-ring
  - Z1 Cleaned for oxygen service
  - D Drain port, 1/8" NPT

**A9675 -3 -AA**

Example: A9675-3-AA

### Miscellaneous:

Paper Tag	\$5.00
Metal Tag:	\$10.00

## Barksdale

CONTROL PRODUCTS

3211 Fruitland Avenue • Los Angeles, CA 90058 • ☎ 800-835-1060 • Fax: 323-589-3463 • [www.barksdale.com](http://www.barksdale.com)