



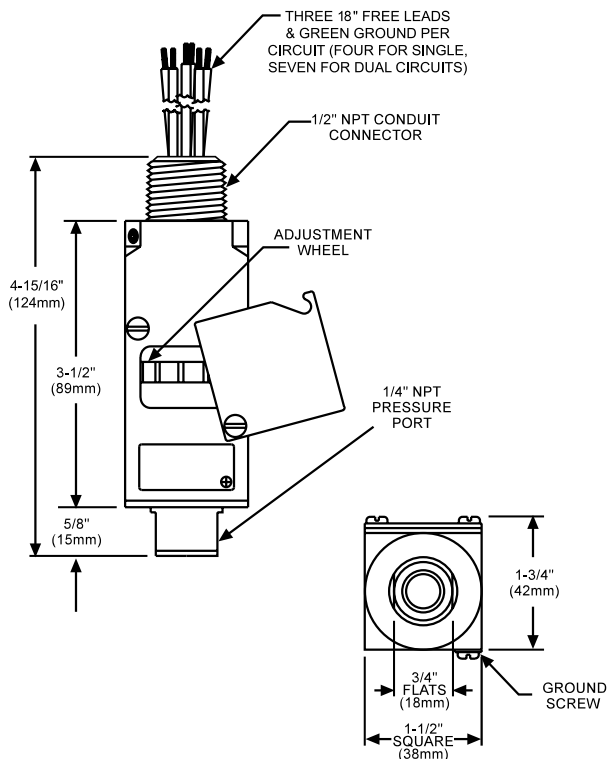
Series 9692X



CE Qualified

Features

- NEMA 4 X, 7 & 9
- Safe to Adjust During Operation
- Tamper Resistant Cover
- Sealed Piston Sensor
- DPDT Switch Option*



Wiring Code		
Lead Function	Circuit 1	Circuit 2
Normally Open	Red	Yellow
Common	Purple	Brown
Normally Closed	Blue	Orange
Ground	Green	

Pressure Switches - Pressure Ratings: psig and (MPa)

Range	Pressure Setting Range				Approx. Actuation Differential	Proof Pressure	Catalog No. SPDT	Catalog No. DPDT
	Decreasing		Increasing					
	Min	Max	Min	Max				
750 (5.17)	100 (.69)	600 (4.14)	150 (1.03)	750 (5.17)	50 - 150 (.34-1.03)	15000 (103.43)	9692X-1CC-1	9692X-2CC-1
1000 (6.90)	150 (1.03)	800 (5.52)	220 (1.52)	1000 (6.90)	70 - 200 (.48-1.38)	15000 (103.43)	9692X-1CC-2	9692X-2CC-2
3000 (20.69)	400 (2.76)	2600 (17.93)	500 (3.45)	3000 (20.69)	100 - 400 (.69-2.76)	15000 (103.43)	9692X-1CC-3	9692X-2CC-3
5000 (34.48)	700 (4.83)	4400 (30.35)	840 (5.79)	5000 (34.48)	140 - 600 (.97-4.14)	15000 (103.43)	9692X-1CC-4	9692X-2CC-4
7500 (51.71)	1000 (6.90)	6700 (46.21)	1200 (8.28)	7500 (51.72)	140-800 (.97-5.52)	15000 (103.43)	9692X-1CC-5	9692X-2CC-5

Performance Characteristics

Accuracy	± 2% of Full Scale
Typical Life	2.5 Million Cycles
Switch	
Type	SPDT, Snap Action, Class CC
Rating	11 amp @ 125/250 VAC 5 amp @ 30 VDC 1 amp @ 125 VDC
Adjustment	Internal Adjustment Wheel

Physical

Weight	1.85 lbs.
Wetted Parts	
Process Fitting	300 Series Stainless Steel
Seals	Buna N O-ring & Teflon Backup
Piston	300 Series Stainless Steel
Enclosure	316 Series Stainless Steel
Ratings	NEMA 4X, 7 & 9.
Pressure Connection	1/4" NPT Female
Electrical Connection	1/2" NPT Male Conduit Connection, 18 AWG 18" (300 mm) Freeleads, PVC Jacket

Approvals

UL #E37043, CSA #LR22354 and CENELEC Hazardous Locations, Division I Class I, Group A, B, C & D; Class II, Group E, F & G

Environmental

Ambient Temperature	-40 to 165°F (-29 to 74°C)
EMI/RFI	to EN 55011
Vibration	10 g's 10-500 Hz, MIL-STD 202F
Shock	50 g's, 11 mS, MIL-S-901C

Standard Options

*2 - Dual Circuit, 2 SPDT switches to simulate DPDT operation. (Replace "1" with "2" in catalog number. Example: 9692X-2CC)

GH - Gold Contact Limit Switch, 1 amp @ 125 VAC (Replace "CC" with "GH" in catalog number. Example: 9692X-1GH)

Options below:
Add dash & suffix letter to catalog number. (Example: 9692X-1CC -E-P1)

- E - Ethylene Propylene Elastomer O-ring
- V - Viton® Elastomer O-ring
- P1 - 7/16-20 SAE female process connection
- P3 - 1/2" NPT female process connection
- P4 - 1/2" NPT male process connection