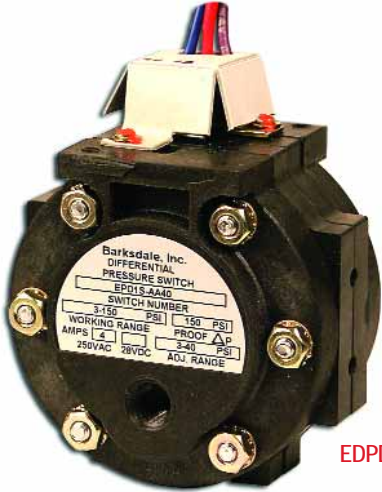


# EPD1S, EPD1H Pressure Switch

Differential Pressure  
EPD1S, EPD1H Series

- ❖ High Reliability
- ❖ High Accuracy
- ❖ Extremely Versatile
- ❖ Easy Setpoint Adjustment



EPD1S



EPD1H

**B**arksdale's EPD1S and EPD1H Single Setting Pressure Differential

Switches provide an ideal solution when you need a high quality, differential pressure switch with high reliability and accuracy to meet your applica-

tion requirements. These snap-action switches are available in stripped or housed

versions and are easily adjustable via a set-point screw. Factory set models are also available.

The housed version enclosure features a 3-contact terminal strip for easy electrical connection.

# EPD1S, EPD1H Pressure Switch

## With Barksdale - Pressure's No Problem

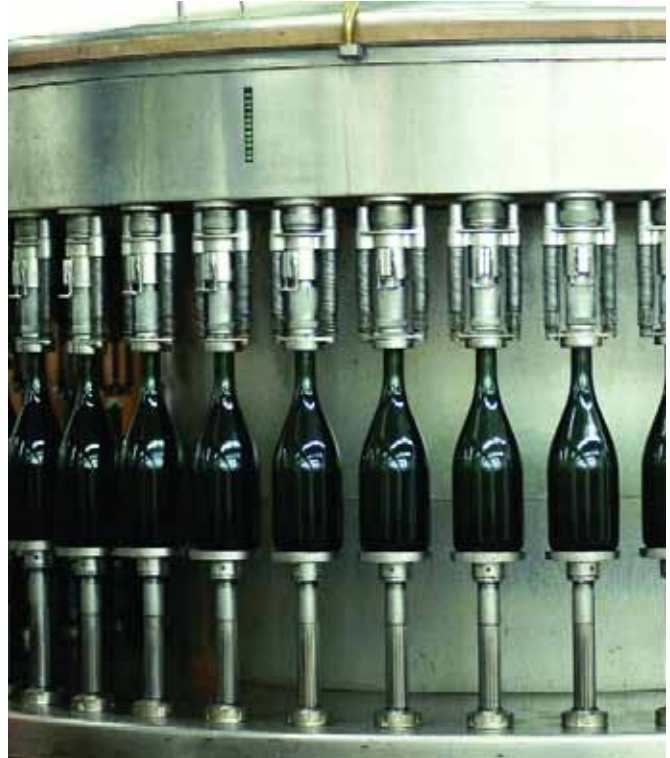
**A**s a recognized leader in the manufacture of pressure product solutions, Barksdale pressure switches meet the demanding needs of our customers. From 29" Hg to 18,000 psi, Barksdale has pressure switches for a variety of applications – from transformers to natural gas compressors to beverage dispensers – and more!

**Barksdale's EPD1S and EPD1H Series Differential Pressure Switches** provide an economical solution for your pressure sensing needs. Differential pressure switches accurately control pressure differences of 0.22 to 40 PSI and can be factory pre-set upon request. Setpoint adjustment is easily accomplished by turning the slotted adjustment screw. An optional NEMA 4 Junction Box (**EPD1H Series**) provides additional environmental protection as well as easy electrical conversion via a 3-contact terminal strip.

### Differential Pressure Switch Applications

With its economical design and high repeatability, **Barksdale's EPD1S and EPD1H Series Differential Pressure Switches** provide an accurate and reliable solution for pressure differences up to 40 psi, making them ideal for use in:

- Filtration Systems
- Air Proving in HVAC Systems
- Pump & Compressor Monitoring
- Fluid Leak Detection



### Need Something Special?

If you have special product requirements, we can help. Barksdale specializes in custom design solutions to meet your needs. Our reputation is built on creating custom products for customers committed to getting exactly what they need. We have design engineers and technical specialists who are experts in solving your unique pressure problems. Our technology and resources are at your disposal.

### Need More Information?

Call us. We are only a phone call away.  
Toll-Free: 1-800-835-1060.

# EPD1S, EPD1H Pressure Switch

**General Description**

**Electrical Characteristics** All models incorporate Underwriters Laboratories, Inc. and CSA Listed single pole double throw snap-action switching elements.

**Performance Characteristics**

**Accuracy** ± 5% of the adjustable range  
**Switch Type** SPDT Snap Action  
**Rating** 4 Amps @ 125/250 VAC (Class AA limit switch); 5 Amps @ 125/250 VAC (Class BB limit switch). Consult sales drawing for ratings of optional limit switches.

**Adjustment Instructions**

**Pressure Differential** Turn adjustment screw clockwise to increase pressure difference; counterclockwise to decrease pressure difference

Wiring Code	
Lead	Color
Normally Closed	Blue
Common	Purple
Normally Open	Red

**Contact Factory for These Options**

Factory pre-set

**Physical**

**Shipping Weight**  
 EPD1S Models 1.0 lbs. approximate  
 EPD1H Models 1.5 lbs. approximate

**Wetted Parts**  
 Pressure Fitting Polysulfone, 40% glass filled  
 Diaphragm Dacron reinforced neoprene  
 Enclosure Polysulfone, 40% glass filled  
 Ratings NEMA 4

**Pressure Connection** 1/8" NPT Female

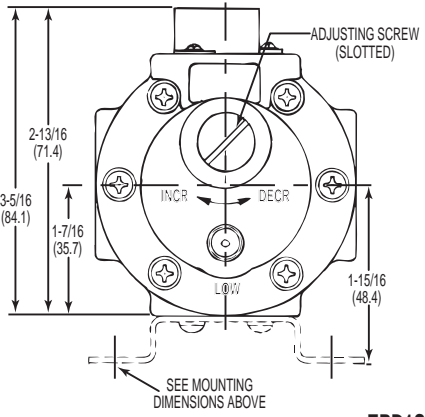
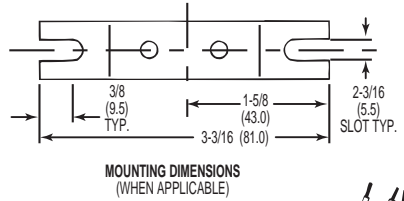
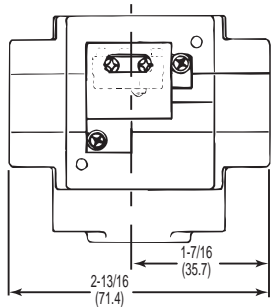
**Electrical Connection**  
 EPD1S 12" free leads  
 EPD1H 3-pin terminal block

**Approvals**

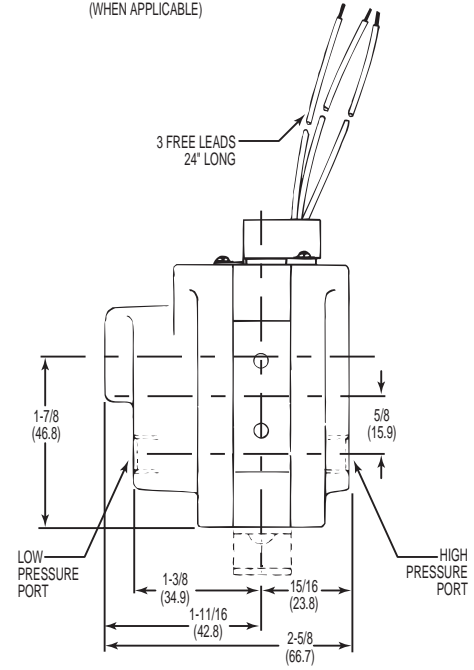
PED (European) Compliant to PED 97/23/EC

**Environmental**

**Temperature Range**  
 Operating -65° to +165°F (-7° to +74°C)  
 Storage -40° to +200°F (-40° to +93°C)



EPD1S



# EPD1S, EPD1H Pressure Switch

**Differential Pressure**

**EPD1S, EPD1H Series**

Basic Configuration: EPD1S Single Setpoint  
 EPD1H Single Setpoint with J-Box

Limit Switch: -AA 4 Amps @ 125/250 VAC  
 -BB 5 Amps @ 125/250 VAC  
 -CC 10 Amps @ 125/250 VAC  
 (See Note Below)

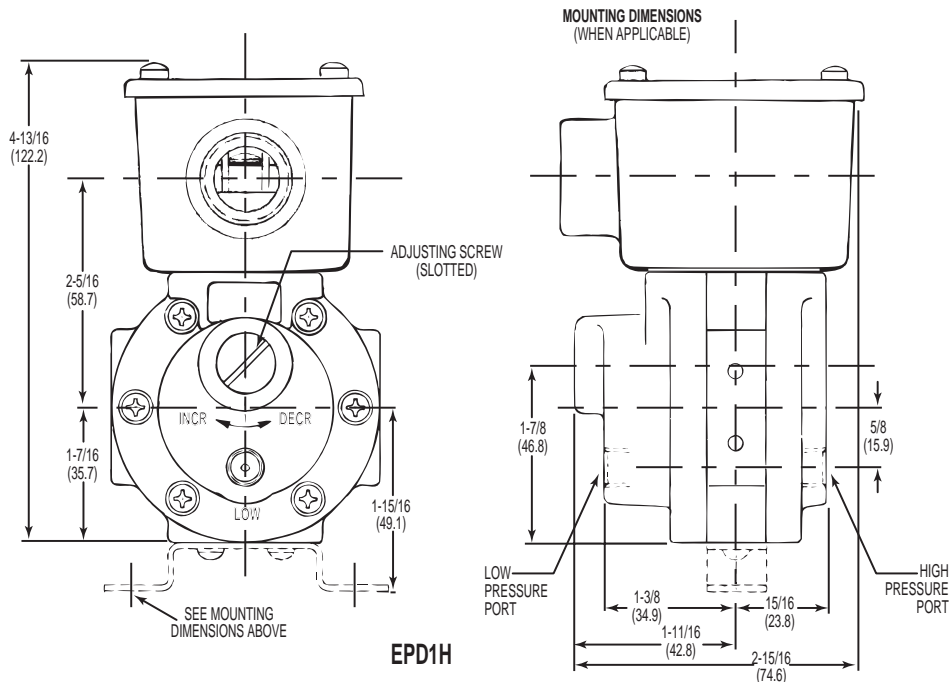
	Adjustable Range				Approx. Deadband (Actuation Value) psi (bar)	Maximum Differential psi (bar)	Working Range psi (bar)
	Decreasing - psi (bar)		Increasing - psi (bar)				
	Min	Max	Min	Max			
3	.22 (.01)	2.71 (.2)	.51 (.03)	3 (.2)	.07 - .29 (0 - .02)	12 (.8)	.22 to 12 (.01 to .8)
40	3 (.2)	38.8 (2.6)	4.2 (.3)	40 (2.7)	.15 - 1.2 (.01 - .08)	150 (10.2)	3 to 150 (.2 to 10.2)

Options: -WXXX Extra wire length (XXX = inches)

Example: EPD1S-AA40-Z1

<b>Miscellaneous:</b>	
Paper Tag:	\$5.00
Metal Tag:	\$10.00

**NOTE:** Values shown are for Class AA limit switch. Consult sales drawing for Class BB or Class CC values.



**Barksdale**  
 CONTROL PRODUCTS

3211 Fruitland Avenue • Los Angeles, CA 90058 • ☎ 800-835-1060 • Fax: 323-589-3463 • [www.barksdale.com](http://www.barksdale.com)