



Non-Contact Liquid Level Bin-Dicator[®] control is a low-cost, floatless, pressure sensitive, diaphragm actuated switch that automates the filling and emptying of containers. Durable, trouble-free performance is assured because none of the few moving parts come in contact with the liquid. A standard 1" pipe is all that is required for top of the vessel mounting on almost any size or shape vessel.

How to Order

| Enclosure | Order Number |
|-----------------|-----------------|
| Weatherproof | LAG102900 GT-1 |
| Explosion-proof | LAG102901 GTX-1 |

Features and Benefits

Actuates Overflow and Low Level Alarms
Alarms on presence or absence of liquids

Indicates High and/or Low Liquid Levels
Allows user versatility depending on applications needs

Optional Side Mounting
Multiple mounting options to choose from

Specifications

Housing and Cover: Polyester - coated aluminum casting
Optional explosion-proof

Pressure Chamber with Integral Riser: Polyester coated aluminum casting 1" NPT

Diaphragm: Teflon[®] - faced neoprene

Switch: Standard SPDT Snap Action Switch (dry contact)
Rated: 15 amp resistive @ 125, 250 or 480 VAC
1 H.P. @ 125 VAC, 2 H.P. @ 250 VAC
½ amp @ 125 VDC, ¼ amp @ 250 VDC

Shipping Weight: 7 lbs.

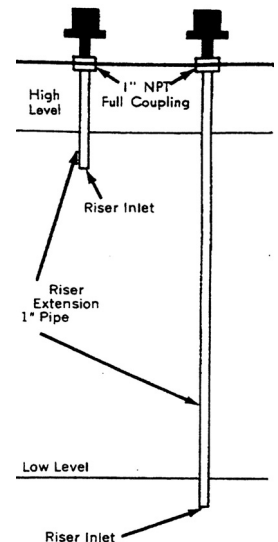
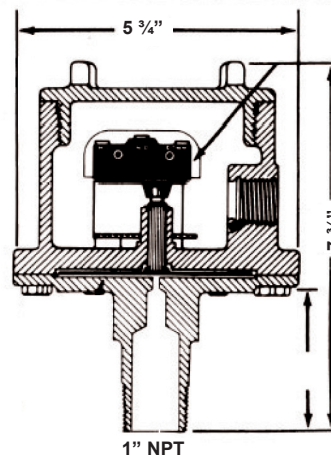
Temperature Rating: 32° F to +160° F (0° C to +71° C)

Approvals: UL and CSA listed for weather-proof non-hazardous;
UL and CSA listed for explosion-proof in hazardous Class I, Division I, Groups C & D and Class II, Division I, Groups E, F & G.

For high and low level float control, Bindicator[®] offers Levelite float controllers. Visit www.levelitestore.com for more information.

Advise maximum temperature at the control housing if in excess of 160° F (71° C). Advise if the air above the liquid is other than atmosphere pressure and if so, to what extent.

Dimensions



Operation

It is a low-cost, floatless, pressure sensitive, diaphragm actuated switch requiring 5" of head pressure on the riser for actuation. Long, trouble-free performance is assured because none of the few moving parts come in contact with the liquid. A standard 1" pipe is all that's required for top of vessel mounting on almost any size or shape container.



150 Venture Boulevard · Spartanburg, SC 29306
Tel: (800) 778-9242 · (864) 574-8060
Fax: (864) 574-8063 E-mail: sales@bindicator.com
www.bindicator.com