

H-STAT

Microprocessor Based Humidstat for Both Residential and Commercial Applications

The **H-STAT** is a low voltage microprocessor based humidistat ideal for controlling humidification and dehumidification in both residential and commercial applications. It offers an optional temperature sensor used to lower the humidity set point to prevent condensation buildup on windows or structures.

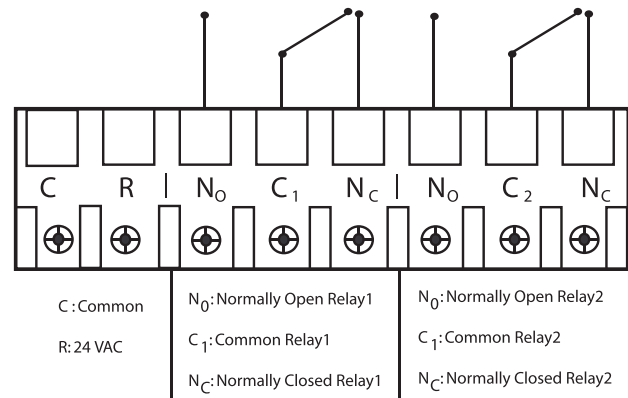
Features:

Large LCD showing humidity reading or set point

Menu access using the push button on the front panel display

Proven humidity sensor with extraordinary performance in repeatability and durability

User friendly installation/ replacement with plug-in electronic module and base plate.



SPECIFICATIONS

Measurement range:	10-95% RH
Operating Temperature:	5°C to 50°C
* Control Range:	10-95% RH
Power requirement:	24Vdc or 24 Vac
Accuracy @ 25C:	+/- 2% RH from 30-80%
Repeatability:	+/- 0.3% RH
Relay Contact:	1A@125VAC
Sensor Stability:	+/-1% @ 50 % RH, 5 yr
Temp Effect	0.05%RH/°F
Enclosure	ABS

* Non-condensing



EdgeTech
19 Brigham Street, Unit 8
Marlborough, MA 01752

Tel : 508-263-5900
Fax : 508-486-9348
www.EdgeTech.com

