

**KYTRONICS**

when performance counts

# KYTRONICS PROCESS FLOW CONTROL EQUIPMENT

Kytronic's digital technology provides flow control equipment with features not available with conventional positioners or any other devices. Devices with a include Kytronics unique noncontact position encoders with encapsulated sensors which eliminate need for periodic recalibration of the device.

## ACTUATOR POSITIONERS

Kytronics positioners have advantages not available with conventional positioners. Features:

ZERO air bleed;

External solenoid valve(s) exclude air from enclosure to improve reliability;

KYTRON™ programming characterizes actuator response to controller signal;

fail open or closed on power or signal loss;

and other advantages not available with conventional positioners.

Positioners are available in two Models. DLA and MCDLU.

Both have the same operating system. Hydraulic models can modulate water powered actuators.

MCDLU POSITIONERS have the encoder and electronics in the same enclosure on the actuator.



MCDLU POSITIONERS



MCDLUP4 ACTUATOR OPERATOR

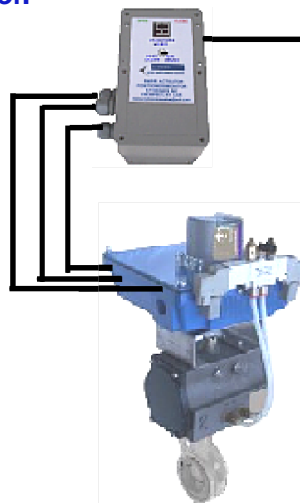


SELECT-A-RANGE CONTROLLER/POSITIONER

PMP OPERATOR MODULES precisely position an actuator from a remote module. The actuator position is displayed without a controller.



DLA POSITIONERS



PMPMLS MODULES are remote manual loading stations used with a positioner. A controller signal passes through the PMPSR unit to the positioner. The PMPSR has an independent signal generator and the controller signal can be by-passed so the actuator is operated by the local signal generator.

The actuator position is continuously displayed on the PMPMLS module regardless whether the controller signal or the local signal operates the actuator.

DLA models have the encoder on the actuator and the electronics in a remote enclosure.

A Manual Loading Station in the enclosure allows operation of the actuator from the remote enclosure with the actuator position displayed

